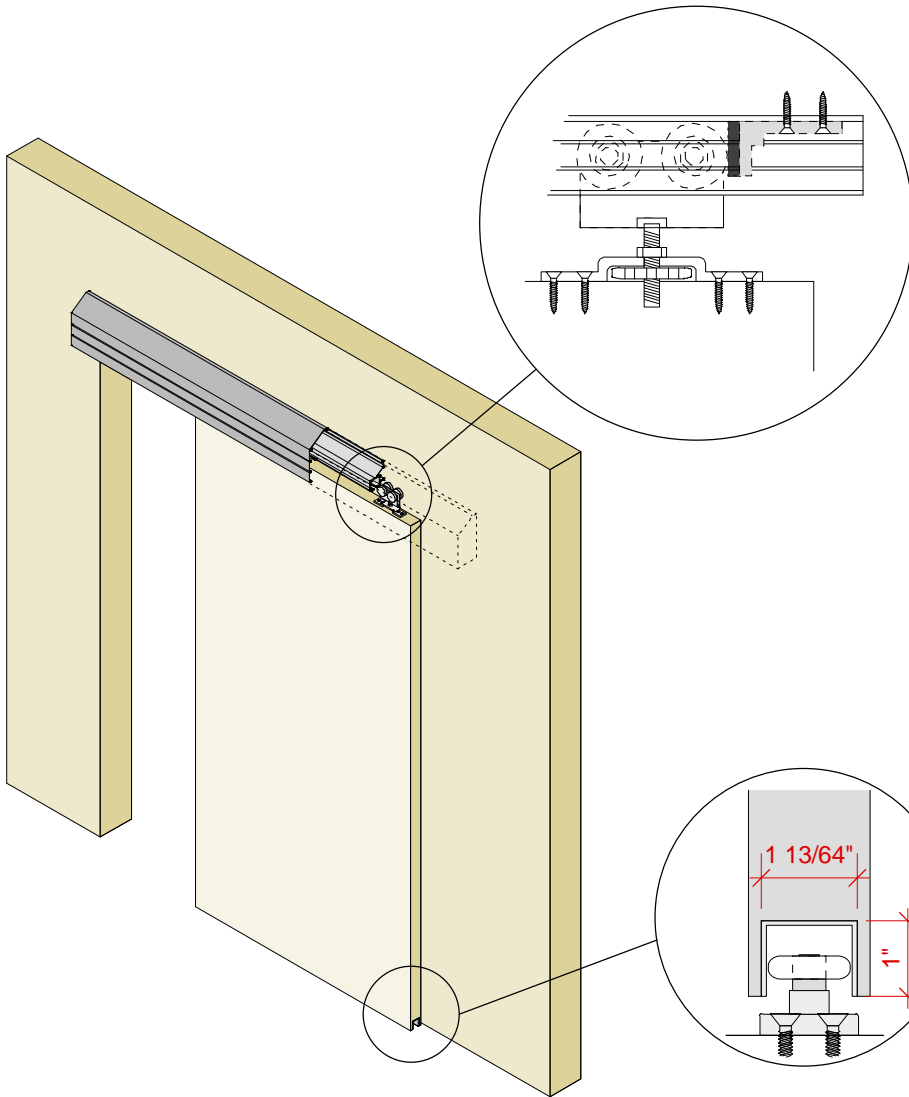
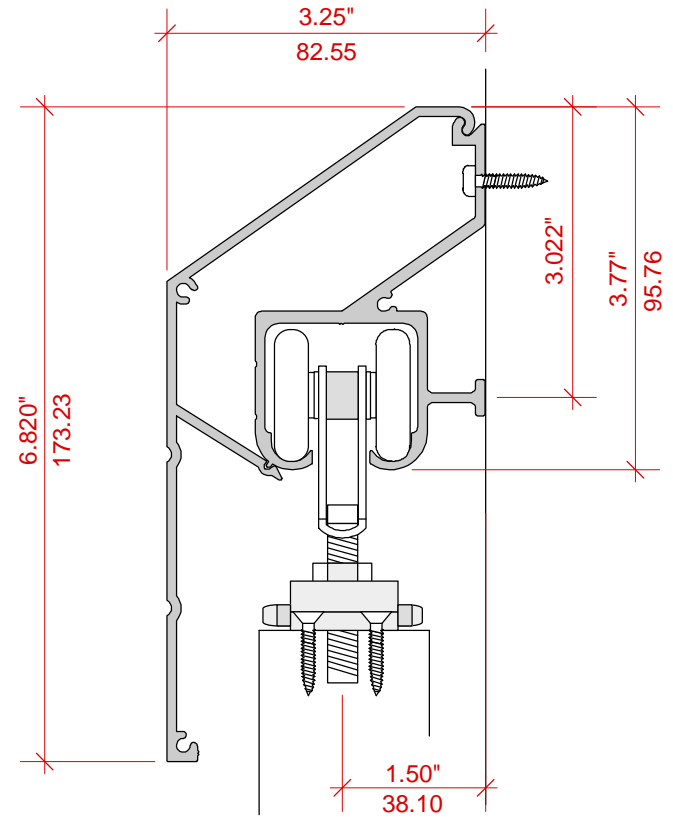


C-100HD TRACK MOUNTED
DOOR STOP



C-914 IN-DOOR CHANNEL
WITH C-913 HD. BALL
BEARING DOOR GUIDES



C-911 QUICK RELEASE
HANGER ON C-108
EXTRUDED ALUMINUM TRACK
WITH C-110 SNAP ON FACIA

PRODUCT: QUICK RELEASE HANGER

CUSTOMER:

PROJECT:

DRAWN BY: KN Crowder

8.5 x 11 SCALE: 50% SCALE

KNC
K.N.CROWDER mfg.Inc.
 www.kncrowder.com John@kncrowder.com
 2344 South Sheridan Way 210 Eighth Street South,
 Mississauga, Ontario L5J 2M4 Lewisston, New York 14092
 Tel: (905) 822 3472 Tel: (716) 754 8247
 Fax: (905) 822 8887 Toll Free Fax: 1 800 567 0123

APPROVED BY:

DWG N°:

02/02