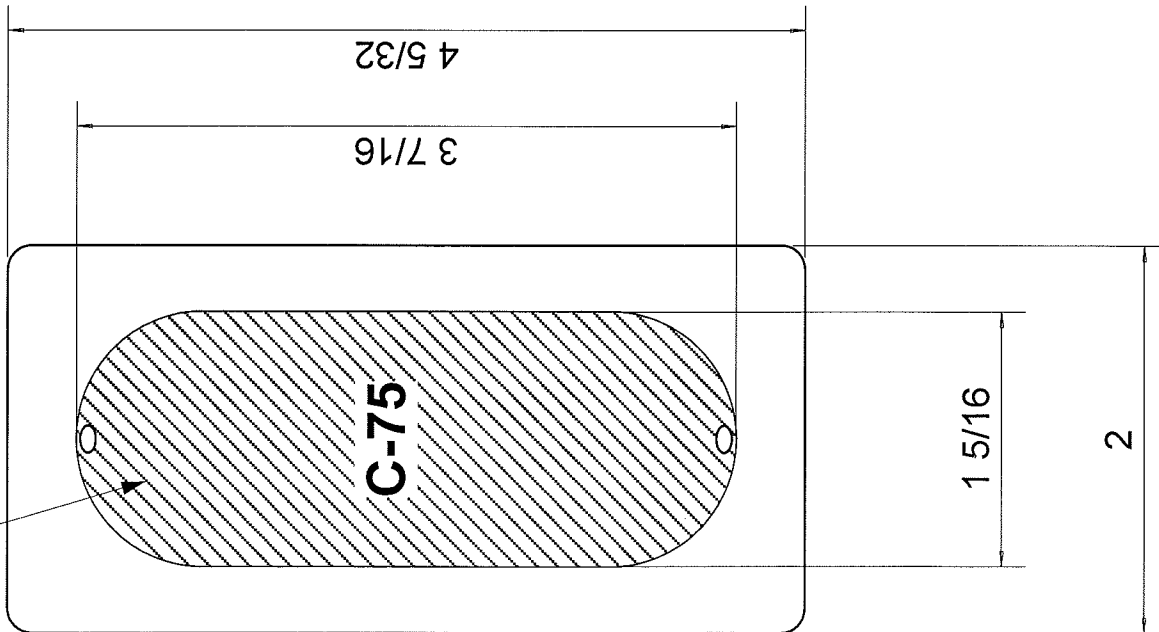
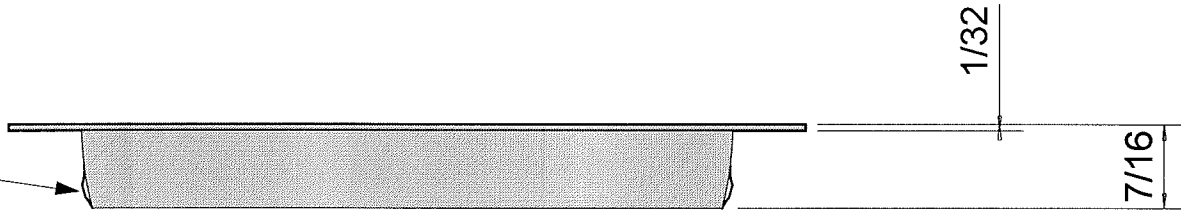


MATERIAL TO BE REMOVED

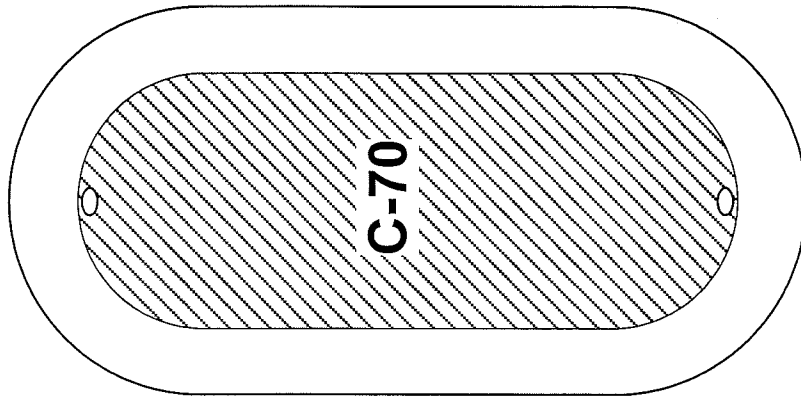


VIEW FROM BACK

#4 SCREW HOLE



SIDE VIEW



PRODUCT: C-75 CUP PULL TEMPLATE

CUSTOMER:

PROJECT:

DRAWN BY: John Paron

8.5 x 11 SCALE: 100%

APPROVED BY:

DWG N°:

C75



K.N. CROWDER mfg. inc.

WWW.KNCROWDER.COM

220 Burreak Drive  
Burlington, Ontario L7L 6B3

210 Eighth Street South  
Lewiston, New York 14092

Tel: (716) 754 8247

Fax: (905) 315 9788

Toll-Free Fax: 1 800 567 0123

DATE HERE