

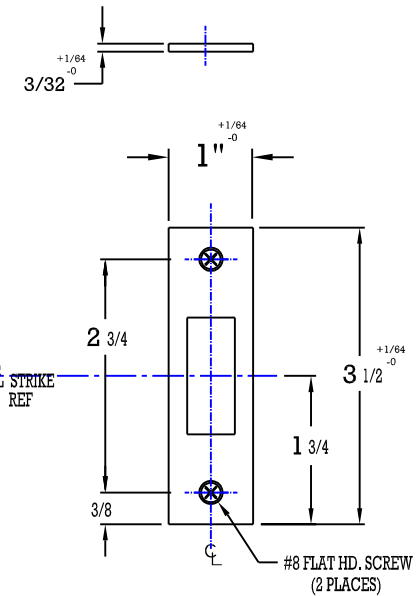
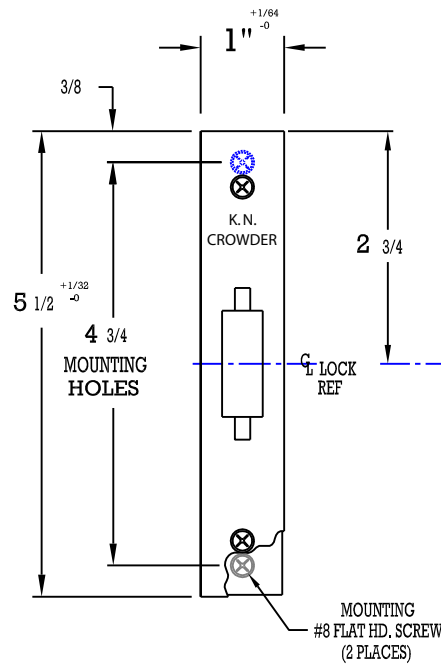
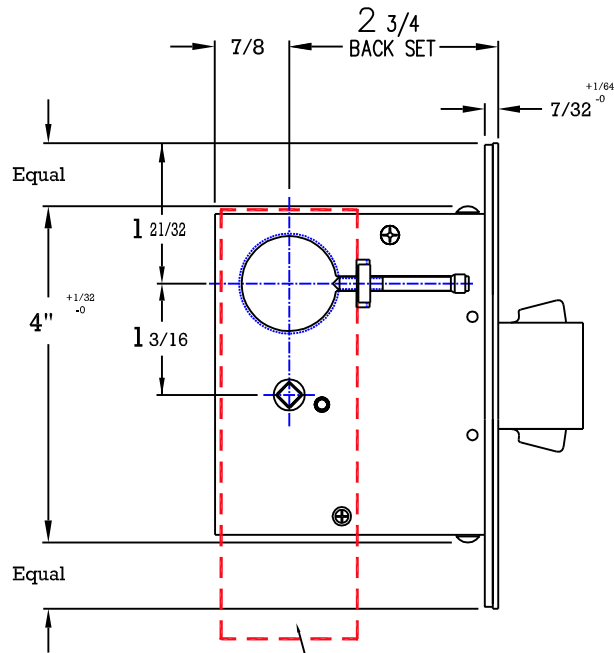
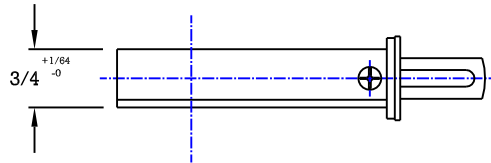
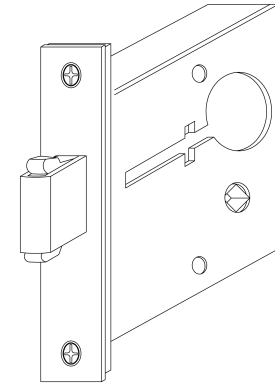


# C-92L 2-3/4" BACKSET TEMPLATE POCKET DOOR LOCK INSTALLATION

Note: All Dimensions Reflect Suggested Mortise Prep Dimensions. (Actual Lock Dimensions Are Slightly Smaller).

## SPECIFICATIONS:

CASE: Heavy Gauge Wrought  
 ARMOR FRONT: Brass  
 Bronze  
 Stainless  
 DEAD BOLT: 1/2" Thick x 1-7/32" High x 1" Throw  
 PULL: 1/2" Thick x 2" High x 1-1/4" Throw  
 THUMB TURN HUB: 3/16" On the Diamond  
 CYLINDER: 1" Diameter Hole



Note: When using K.N. Crowder Flush Pulls See template before preparing holes.



K.N. CROWDER MFG. INC.  
 1220 BURLOAK DRIVE  
 BURLINGTON, ONTARIO, CANADA, L7L 6B3  
 TELEPHONE: 905-315-9788 ---- FAX: 905-315-8090  
 TOLL FREE FAX: 1-800-567-0123

K.N. CROWDER INC.  
 210 EIGHTH STREET SOUTH  
 LEWISTON, NEW YORK, U.S.A. 14092  
 TELEPHONE: 1-716-754-8247  
 TOLL FREE FAX: 1-800-567-0123