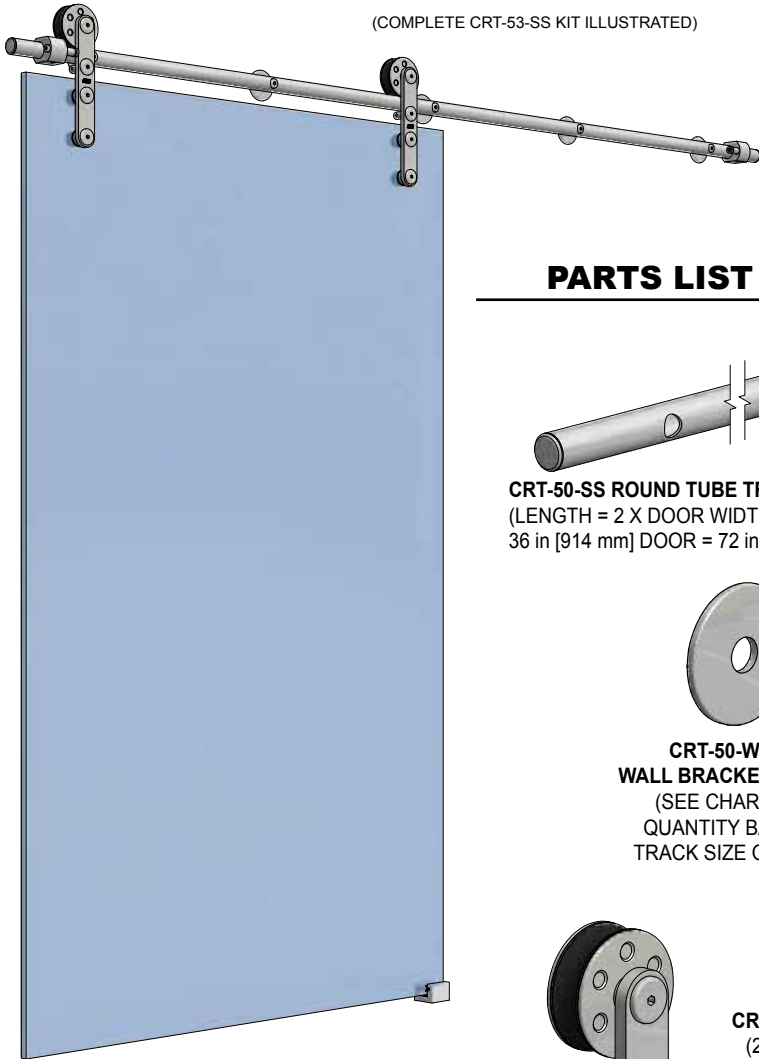


CRT-53-SS KIT SERIES

INSTRUCTION SHEET



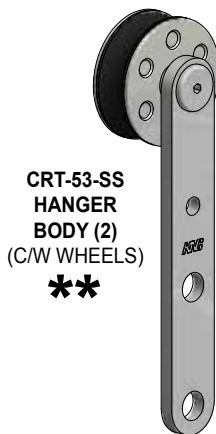
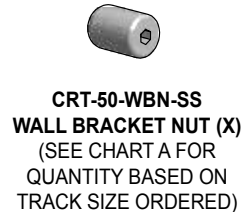
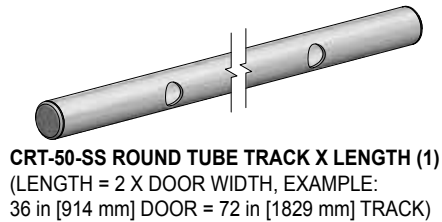
(COMPLETE CRT-53-SS KIT ILLUSTRATED)



CROWDERTRACK'S CRT-53-SS SERIES SYSTEM

- LOAD CAPACITY 150LBS. (TWO HANGERS)
- EXPOSED STAINLESS STEEL HARDWARE
- SHOCK ABSORBING STOPS
- DELRIN WHEEL WITH PRECISION GROUND BALL BEARINGS.
- CRT-53-SS KITS ARE SUPPLIED WITH CGGS STATIONARY GLASS FLOOR GUIDES

PARTS LIST (FOR STANDARD CRT-53-12-SS 1DR KIT)



**FOR 2DR KITS:
PARTS THAT SHOW **
QUANTITIES ARE
DOUBLED**

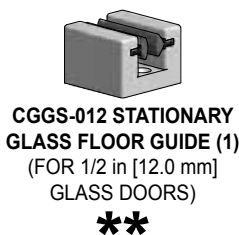
**IF ORDERED CRT-53-38-SS KIT
FOR 3/8 in [10.0 mm] GLASS DOORS**

CRT-53-DR12-SS DOOR ROD (4)
ARE REPLACED WITH:

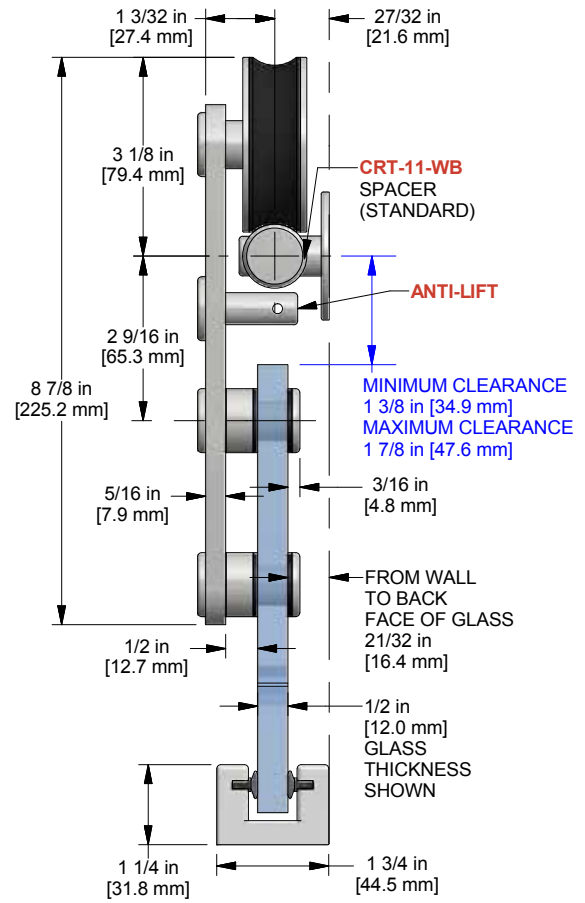
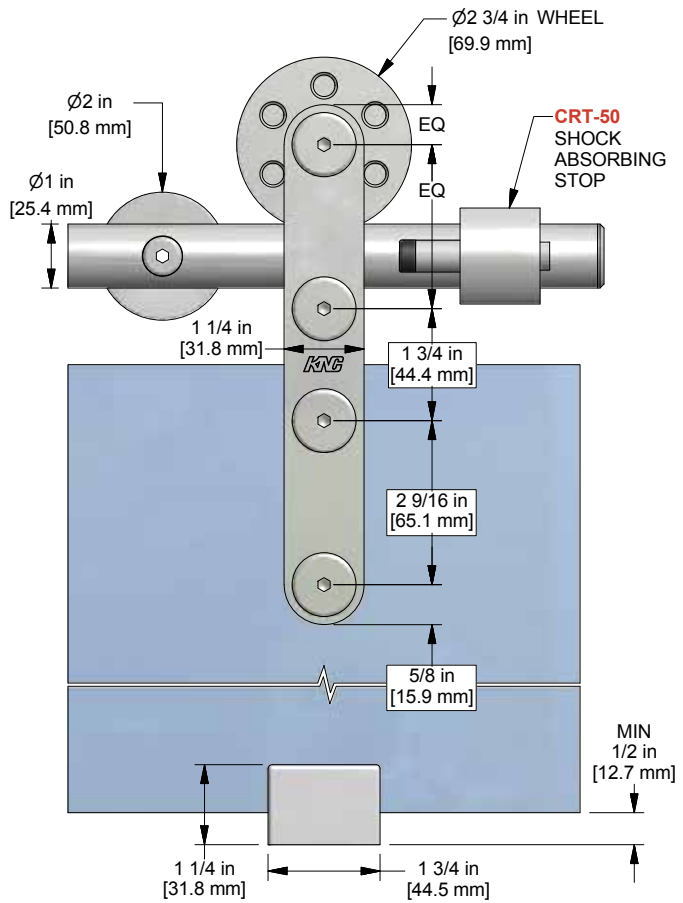
CRT-53-DR38-SS DOOR ROD (4)
(FOR 3/8 in [10.0 mm] DOORS ONLY) **

CGGS-012 STATIONARY GLASS FLOOR GUIDE (1)
IS REPLACED WITH:

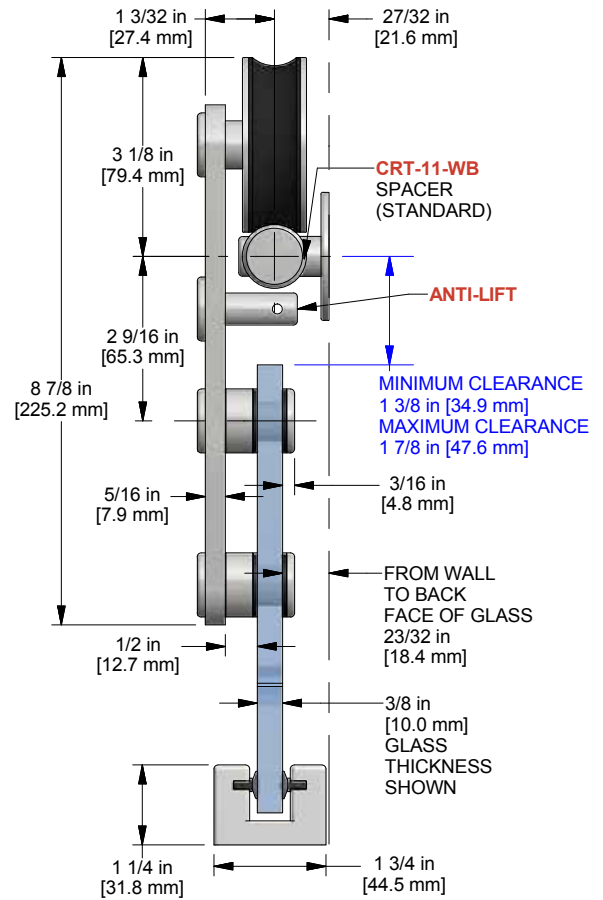
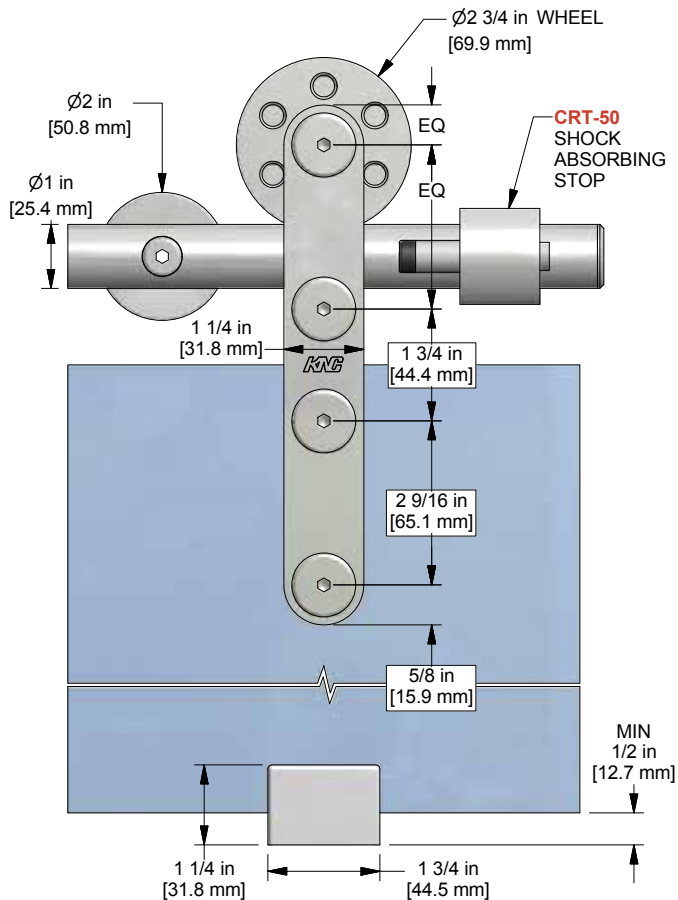
CGGS-038 STATIONARY GLASS FLOOR GUIDE (1)
(FOR 3/8 in [10.0 mm] GLASS DOORS) **



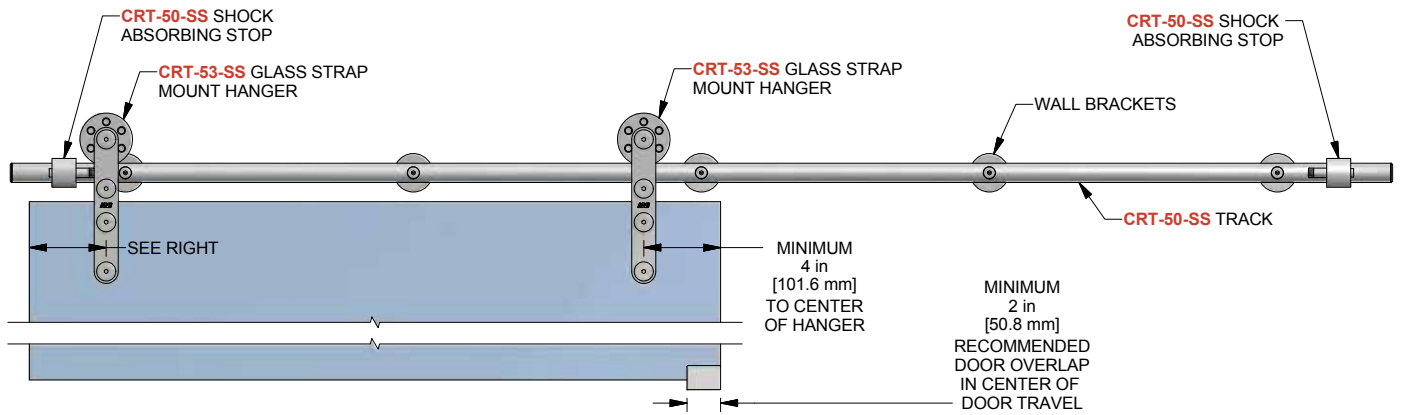
CRT-53-12-SS KIT DETAILS (CRT-53-SS HANGER FOR 1/2 in [12.0 mm] THICK DOORS, CGGS-012 GLASS GUIDE)



CRT-53-38-SS KIT DETAILS (CRT-53-38-SS HANGER FOR 3/8 in [10.0 mm] THICK DOORS, CGGS-038 GLASS GUIDE)



ELEVATION VIEW OF COMPLETE INSTALLATION



STEP #1:

DETERMINE OPENING SIZE, DOOR SIZE AND TRACK POSITIONING ON WALL AND CLEARANCE REQUIRED AT TOP AND BOTTOM OF DOOR BASED ON DIMENSIONS SHOWN IN DETAIL VIEWS ON THE PREVIOUS PAGE. TRACK SHOULD BE AT LEAST TWO TIMES DOOR WIDTH. EXAMPLE: 36 in [914 mm] DOOR REQUIRES AT LEAST A 72 in [1829 mm] TRACK LENGTH. TRACKS ARE ONLY AVAILABLE IN PER FOOT INCREMENTS AND IT IS NOT RECOMMENDED TO CUT THE TRACK DOWN ON SITE AS THE CRT-50-SS TRACK FEATURES PRESS-FITTED END CAPS THAT CANNOT BE EASILY REMOVED WITHOUT DAMAGING THE END CAPS OR THE TRACK.

STEP #3:

MARK A HORIZONTAL LINE WITH A LEVEL ON THE WALL AT THE MEASUREMENT CALCULATED IN STEP 2. LOCATE TRACK ON WALL AND MARK HOLE LOCATIONS AS PER THE SPACING STANDARDS BASED ON TRACK LENGTHS FOUND IN CHART A ON THE TEMPLATE SHEET OR WITH THE TRACK ON SITE. ONCE THE HOLE LOCATIONS ARE MARKED, IF USING THE STANDARD 5/16" HANGER BOLTS SUPPLIED WITH KIT, PRE-DRILL A Ø7/32 in [5.8 mm] HOLE INTO THE WOOD SUPPORT AT LEAST 2 in [50.8 mm] DEEP. IF THERE IS DRYWALL PRESENT, RE-DRILL A Ø5/8 in [15.9 mm] CLEARANCE HOLE IN THE DRYWALL PORTION OF THE HOLES ONLY. SEE ILLUSTRATIONS BELOW FOR ASSISTANCE.

!!!ATTENTION!!!

CRT-50 SERIES TRACKS MUST BE MOUNTED ON SOLID BACKING/SUPPORT IN THE WALL (BEHIND DRYWALL IF APPLICABLE). FAILURE TO PROVIDE BACKING MAY CAUSE SYSTEM FAILURE OR SAGGING OF THE TRACK/DOOR.

STEP #2:

ONCE DOOR SIZE HAS BEEN DETERMINED, CALCULATE THE DISTANCE FROM THE FINISHED FLOOR TO THE CENTER OF THE TRACK WITH THE FOLLOWING INFORMATION AND FORMULA:

MINIMUM CLEARANCE AT THE BOTTOM FOR THE CGGS STATIONARY GLASS FLOOR GUIDE IS 1/2 in [12.7 mm]

MINIMUM CLEARANCE FROM CENTER OF TRACK TO TOP OF DOOR IS 1 3/8 in [34.9 mm]

MAXIMUM CLEARANCE FROM CENTER OF TRACK TO TOP OF DOOR IS 1 7/8 in [47.6 mm]

FORMULA:

(NET DOOR HEIGHT) + (CLEARANCE AT BOTTOM) + (CLEARANCE AT TOP) = DISTANCE FROM FINISHED FLOOR TO CENTER OF TRACK.

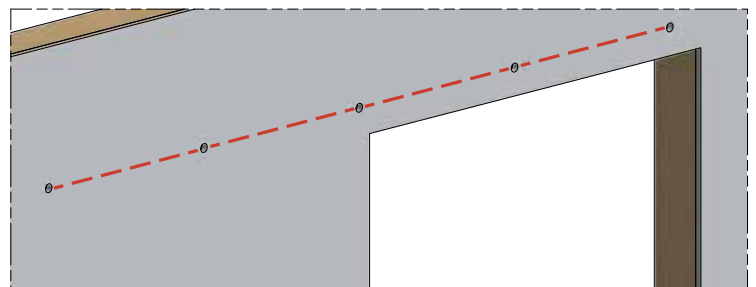
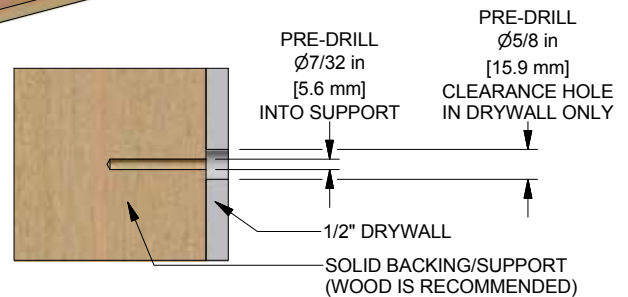
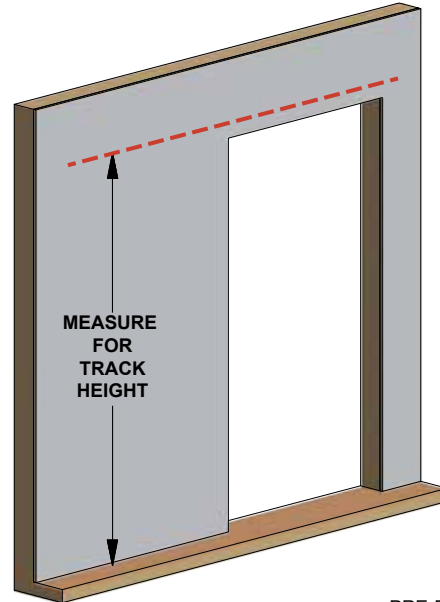
EXAMPLE: ASSUMING 84 in [2134 mm] HIGH DOOR, 1/2 in [12.7 mm] CLEARANCE AT THE BOTTOM & 1 1/2 in [38.1 mm] CLEARANCE AT THE TOP

CALCULATION BASED ON EXAMPLE ABOVE:

(84 in [2134 mm]) + (1/2 in [12.7 mm]) + (1 1/2 in [38.1 mm]) = 86 in [2184 mm] FROM FINISHED FLOOR TO CENTER OF TRACK

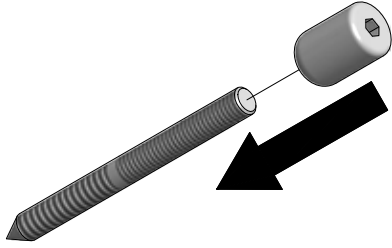
!!!ATTENTION!!!

PLEASE REVIEW SUPPORT AND ANCHOR TYPES REQUIRED AS THE KITS ARE ONLY SUPPLIED WITH LAG SCREWS. MASONRY OR CONCRETE ANCHORS ARE TO BE SUPPLIED BY OTHERS.



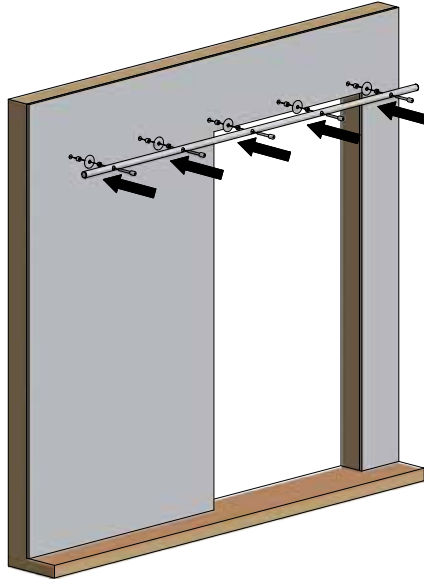
STEP #4:

ASSEMBLE THE CRT-50-WBN WALL BRACKET NUTS WITH THE 5/16" HANGER BOLTS THAT ARE SUPPLIED WITH THE KITS. ONE WALL BRACKET NUT FOR EACH HANGER BOLT. CRT-50-WBN WALL BRACKET NUT SHOULD BE THREADED ONTO THE MACHINE THREAD END, NOT THE LAG END OF THE HANGER BOLTS.

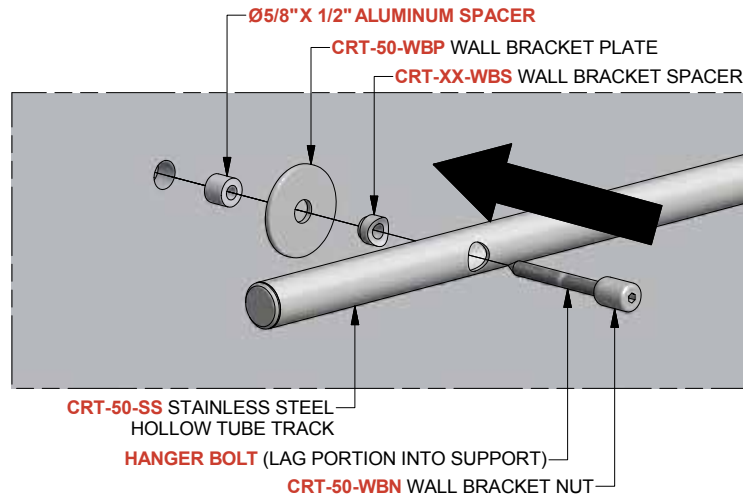


STEP #5:

INSTALL TRACK ONTO WALL WITH THE NECESSARY COMPONENTS AND IN THE ORDER AS SHOWN BELOW. THE ILLUSTRATIONS BELOW ARE BASED ON DRYWALL APPLICATION. **NOTE: ENSURE TRACK IS LEVELED AND FULLY SECURED TO THE SUPPORT.**



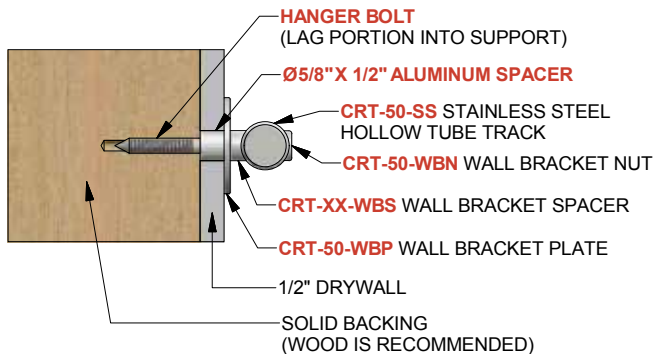
NOTE: IF INSTALLING A 2DR KIT, REVIEW STEP #13 FOR INSTALLING THE STOPS IN THE MIDDLE OF THE TRACK AS THIS WILL NOT BE ACCESSIBLE ONCE THE TRACK IS INSTALLED ON THE WALL.



CRT-50-SS STAINLESS STEEL HOLLOW TUBE TRACK

HANGER BOLT (LAG PORTION INTO SUPPORT)

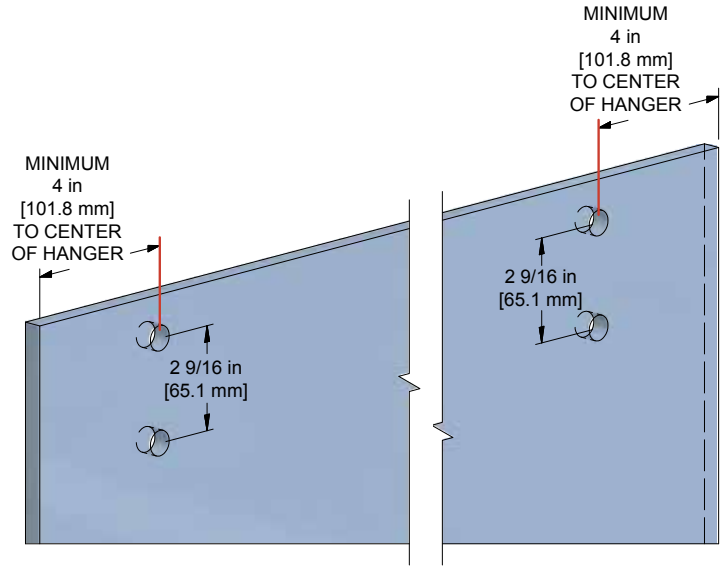
CRT-50-WBN WALL BRACKET NUT



STEP #6:

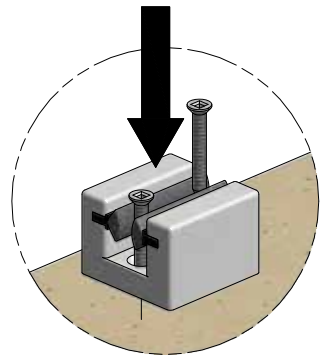
PREPARE THE DOOR FOR MOUNTING THE CRT-53-SS STRAP MOUNT GLASS HANGERS. MINIMUM HOLE SIZE IN GLASS DOOR MUST BE Ø41/64 in [16.3 mm]. SEE DIMENSION DETAILS, AND TEMPLATE ON LAST PAGE OF THIS INSTRUCTION SHEET FOR THE HOLE LOCATIONS. IT IS RECOMMENDED TO MOUNT THE HANGERS MINIMUM 4 in [101.6 mm] FROM EACH EDGE OF THE DOOR TO THE CENTER OF THE HANGERS AS PER THE DETAILS AND TEMPLATE IN THIS INSTRUCTION SHEET.

NOTE: FULL SCALE TEMPLATE IS PROVIDED ON THE LAST PAGE OF THIS INSTRUCTION SHEET BOOKLET.



STEP #7:

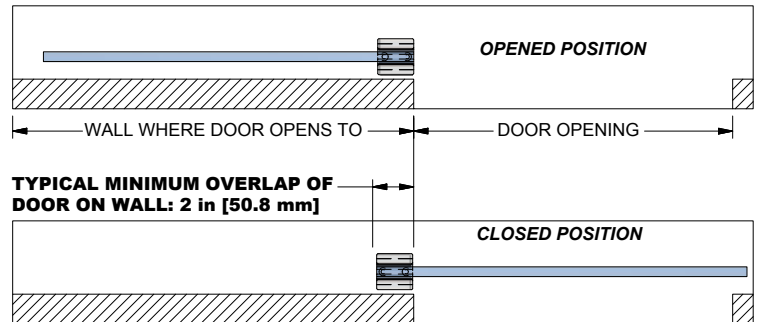
PLACE CGGS-012 (FOR 1/2 in [12.0 mm] THICK GLASS DOORS) OR CGGS-038 (FOR 3/8 in [10.0 mm] THICK GLASS DOORS) STATIONARY GLASS GUIDE AS PER REQUIREMENT BASED ON THE SUGGESTIONS BELOW AND SITE CONDITIONS. SECURE TO FLOOR WITH #10 X 1-3/4" FLATHEAD SCREWS (2).



TYPICAL INSTALLATION

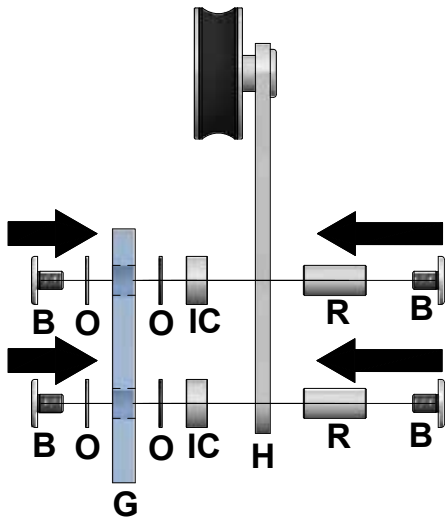
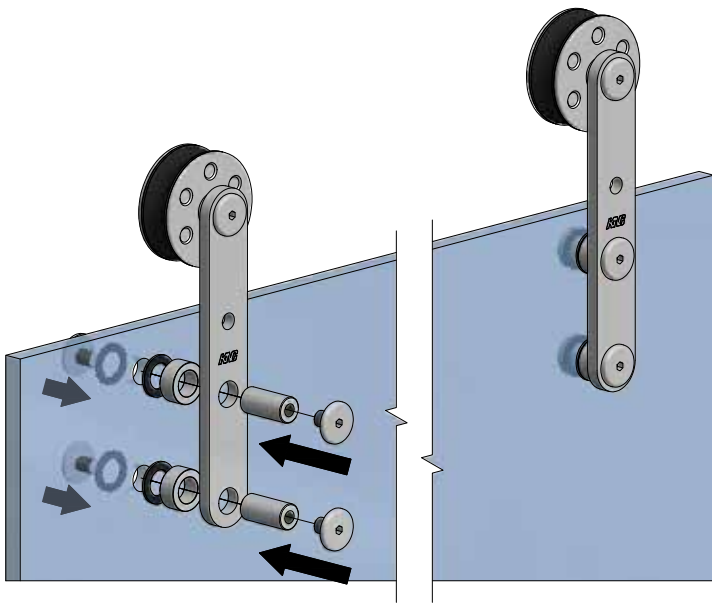
LOCATION FOR FLOOR GUIDES:

GUIDE CHANNEL IN DOOR WITH GUIDE ON FLOOR FOR BARN DOOR APPLICATIONS ILLUSTRATED BELOW:



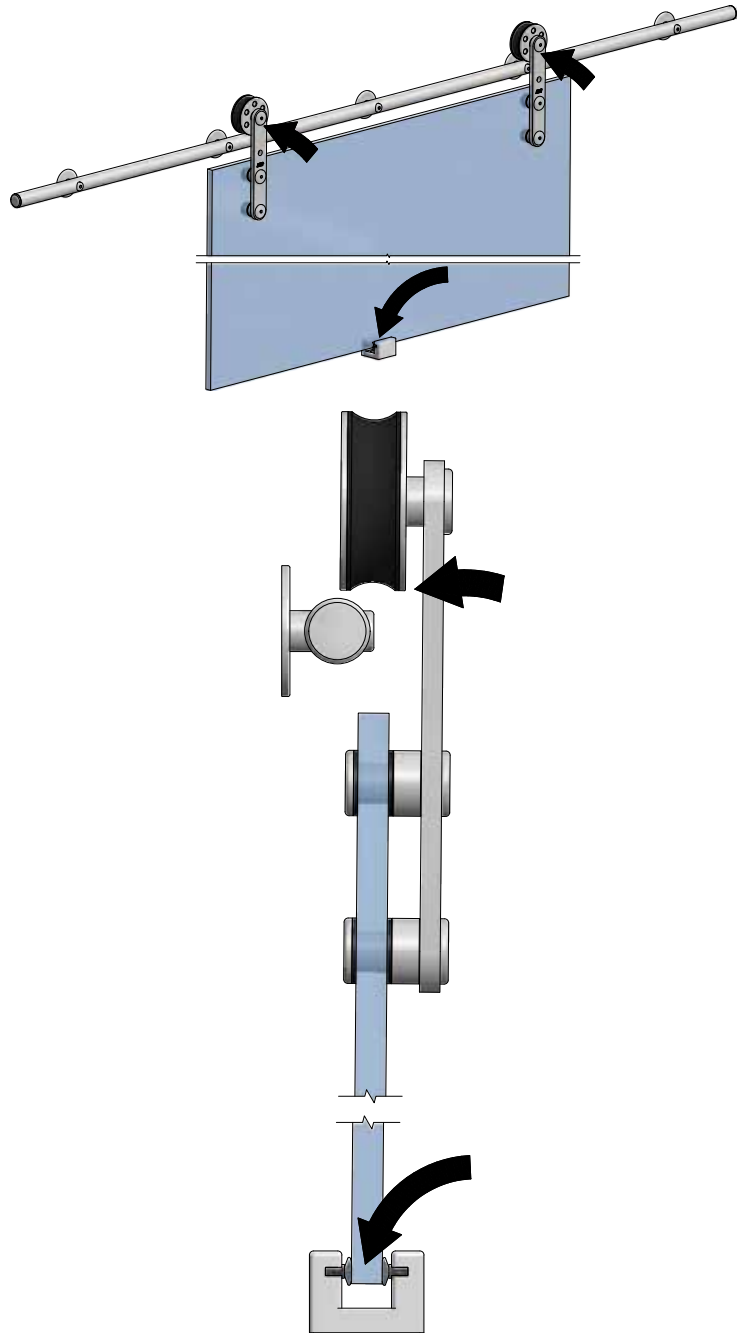
STEP #8:

INSTALL CRT-53-SS HANGER BODIES [H] ONTO THE GLASS DOOR [G] WITH CRT-50-CB-SS BOLTS [B] (4 FOR EACH HANGER), CRT-53-DR12-SS (FOR 1/2 in [12.0 mm] DOORS ONLY) OR CRT-53-DR38-SS (FOR 3/8 in [10.0 mm] DOORS ONLY) DOOR RODS [R] (2 FOR EACH HANGER), CRT-53-OR RUBBER O-RINGS [O] (4 FOR EACH HANGER) & CRT-53-IC-SS INSIDE CLAMPS [IC] (2 FOR EACH HANGER) AS SHOWN IN ILLUSTRATIONS BELOW:



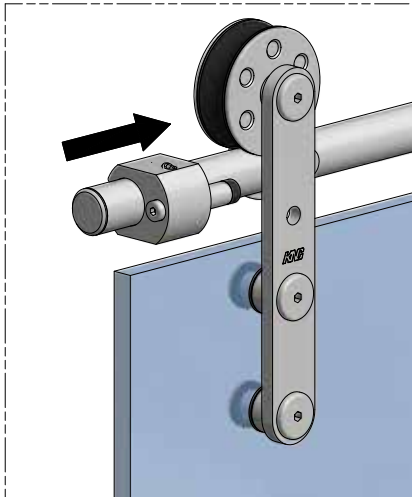
STEP #9:

PLACE DOOR ONTO TRACK. THE DELRIN WHEELS SHOULD BE RESTING ON THE TOP OF THE CRT-50-SS ROUND TUBE TRACK.



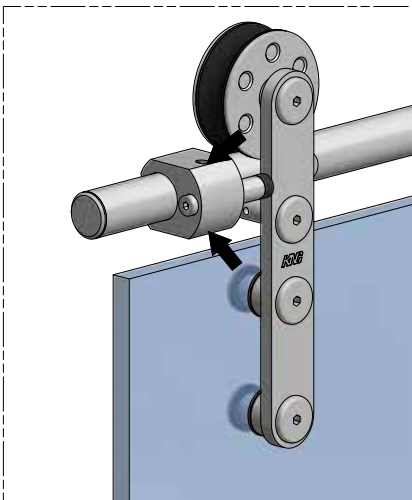
STEP #10:

PLACE THE CRT-50-SS SHOCK ABSORBING STOPS ONTO THE CRT-50-SS ROUND TUBE TRACK FROM THE ENDS OF THE TRACK. BEFORE YOU PLACE THEM ONTO THE TRACK, ENSURE THE SET SCREWS (SUPPLIED ON THE STOPS) ARE LOOSENED OFF. THE STOPS ARE REVERSIBLE.



STEP #11:

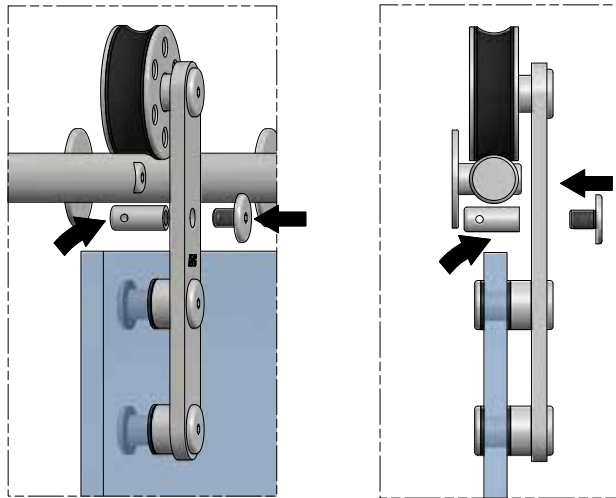
POSITION THE STOPS AS REQUIRED TO LIMIT THE SLIDING DISTANCE OF THE DOOR. THE BUMPER ON THE STOPS SHOULD BE RESTING AGAINST THE SIDE OF THE HANGER BODY AS SHOWN BELOW. SECURE THE CRT-50-SS SHOCK ABSORBING STOPS TO THE TRACK WITH THE TWO SET SCREWS AS SUPPLIED. **NOTE: THE CRT-50-SS SHOCK ABSORBING STOPS MUST BE INSTALLED AS THIS WILL PREVENT THE DOOR FROM RUNNING OFF THE TRACK AND PROVIDE THE REQUIRED STOPPING FORCE FOR THE DOOR(S).**



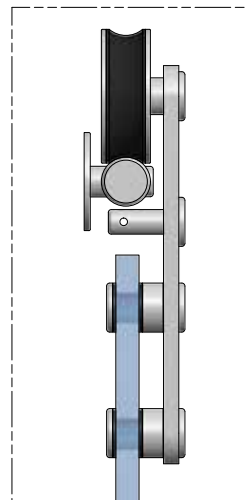
STEP #12:

ONCE THE DESIRED OPERATION OF THE SLIDING DOOR HAS BEEN ACHIEVED, INSTALL THE CRT-50-AL-SS ANTI-LIFT PIECE WITH A CRT-50-CB-SS BOLT C/W LOCTITE TAPE ON EACH HANGER AS SHOWN BELOW. USE 1/8 in ALLEN KEY IN THE SIDE HOLE ON THE ANTI-LIFT PIECE TO PREVENT IT FROM TURNING WHEN TIGHTENING THE BOLT ON THE FRONT OF THE HANGER.

NOTE: THE CRT-50-AL-SS ANTI-LIFT PIECE MUST BE INSTALLED AS THIS WILL PREVENT THE DOOR FROM DISENGAGING WITH THE TRACK AND FALLING DOWN.



COMPLETED INSTALLATION END VIEW



OPTIONAL PRODUCTS:

PLEASE VISIT OUR WEBSITE FOR OTHER OPTIONAL PRODUCT SUCH AS DOOR LOCKS & PULLS AND MORE.

TROUBLESHOOTING:

ISSUE: IF CRT-50-SS STOPS ARE SLIDING

SOLUTION: ENSURE THE SET SCREWS ARE TIGHTENED TO CREATE A FRICTION FIT AROUND THE TRACK.

ISSUE: CHATTER/NOISE WHEN DOOR IS SLIDING.

SOLUTION: ENSURE THE HANGERS ARE FULLY SECURED TO THE DOOR AND THE TRACK IS FULLY SECURED TO THE SUPPORT.

ISSUE: TRACK IS SAGGING FROM THE WALL.

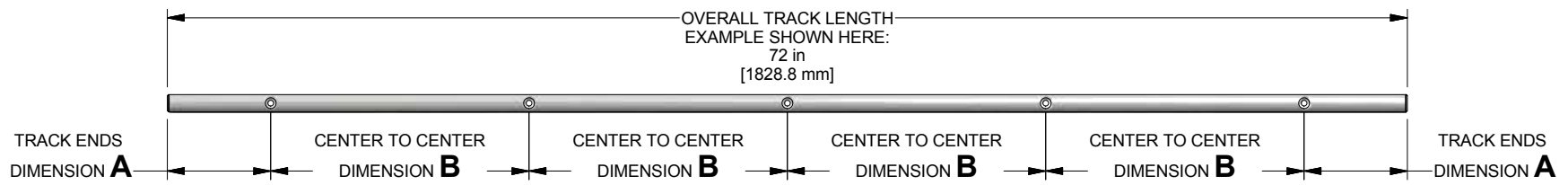
SOLUTION: ENSURE ADEQUATE SUPPORT IS PROVIDED IN THE WALL TO SUPPORT THE TRACK. ENSURE THE PROPER ANCHORS ARE BEING USED BASED ON THE SUPPORT CONDITIONS AND ENSURE THE TRACK IS FULLY SECURED TO THE SUPPORT.

CRT-53-SS SERIES GLASS HANGER HOLE LOCATION TEMPLATE

TEMPLATE SHEET



TRACK SIZE SPACING AND HOLE QUANTITY CHART AND DETAILS



| OVERALL TRACK LENGTH | NO. OF HOLES | DIMENSION A | | DIMENSION B | |
|----------------------|--------------|-------------------|----------------|---------------|----------------|
| 60 in [1524 mm] | 4 | 6 in [152 mm] | 16 in [406 mm] | 6 in [152 mm] | 16 in [406 mm] |
| 64 in [1626 mm] | 4 | 8 in [203 mm] | 16 in [406 mm] | 6 in [152 mm] | 16 in [406 mm] |
| 72 in [1829 mm] | 5 | 6 in [152 mm] | 15 in [381 mm] | 6 in [152 mm] | 16 in [406 mm] |
| 76 in [1930 mm] | 5 | 6 in [152 mm] | 16 in [406 mm] | 6 in [152 mm] | 16 in [406 mm] |
| 84 in [2134 mm] | 6 | 7 in [178 mm] | 14 in [356 mm] | 6 in [152 mm] | 16 in [406 mm] |
| 96 in [2438 mm] | 6 | 8 in [203 mm] | 16 in [406 mm] | 6 in [152 mm] | 16 in [406 mm] |
| 108 in [2743 mm] | 7 | 6 in [152 mm] | 16 in [406 mm] | 6 in [152 mm] | 16 in [406 mm] |
| 120 in [3048 mm] | 8 | 7 1/2 in [191 mm] | 15 in [381 mm] | 6 in [152 mm] | 16 in [406 mm] |
| 132 in [3353 mm] | 9 | 6 in [152 mm] | 15 in [381 mm] | 6 in [152 mm] | 16 in [406 mm] |
| 144 in [3658 mm] | 9 | 8 in [203 mm] | 16 in [406 mm] | 6 in [152 mm] | 16 in [406 mm] |

SEE STEP #6 ON THE CRT-53-SS INSTRUCTION SHEETS FOR DETAILS.

