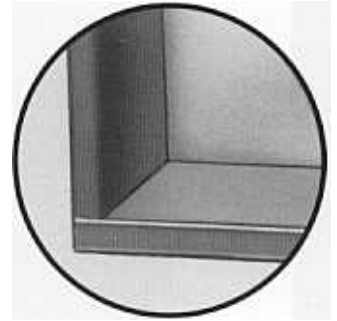
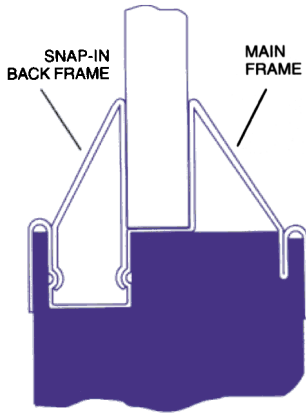


KNC
K.N.CROWDER mfg.inc.

Door Lites
Door Louvers

STEELITE steel door lites

For steel doors 1 3/4" thick and 1/4" glass



| | Part No. | Clear Glass Size | Door Size | Glass Size | Door Cut-Out | |
|---------------------|-------------------|------------------|------------|-------------|--------------|---------|
| HORIZONTAL SECTIONS | SH 3 | 3" | Vision | All | 4 1/4" | 4 5/8" |
| | SH 514 | 5 1/4" | " | " | 6 1/2" | 6 7/8" |
| | SH 10 | 10" | " | " | 11 1/4" | 11 5/8" |
| | SH 1714 | 17 1/4" | 1/2 Glass | 2'6" | 18 1/2" | 18 7/8" |
| | SH 1914 | 19 1/4" | " | 2'8" | 20 1/2" | 20 7/8" |
| | SH 2114 | 21 1/4" | " | 2'10" | 22 1/2" | 22 7/8" |
| | SH 2314 | 23 1/4" | " | 3' | 24 1/2" | 24 7/8" |
| | SH 2514 | 25 1/4" | " | 3'2" | 26 1/2" | 26 7/8" |
| | SH 2714 | 27 1/4" | " | 3'4" & 3'6" | 28 1/2" | 28 7/8" |
| | SH 2914 | 29 1/4" | " | 3'8" | 30 1/2" | 30 7/8" |
| | SH 3114 | 31 1/4" | " | 3'10" | 32 1/2" | 32 7/8" |
| | SH 3314 | 33 1/4" | " | 4' | 34 1/2" | 34 7/8" |
| | VERTICAL SECTIONS | SV 10 | 10" | Vision Lite | All | 11 1/4" |
| SV 19 | | 19" | " | " | 20 1/4" | 20 5/8" |
| SV 2314 | | 23 1/4" | " | " | 24 1/2" | 24 7/8" |
| SV 2914 | | 29 1/4" | 1/2 Glass | 6'6" | 30 1/2" | 30 7/8" |
| SV 3114 | | 31 1/4" | " | 6'8" | 32 1/2" | 32 7/8" |
| SV 3314 | | 33 1/4" | " | 6'10" | 34 1/2" | 34 7/8" |
| SV 3514 | | 35 1/4" | " | 7' | 36 1/2" | 36 7/8" |
| SV 5314 | | 53 1/4" | 2/3 Glass | All | 54 1/2" | 54 7/8" |
| SV 6334 | | 63 3/4" | Full Glass | 6'8" | 65" | 65 3/8" |
| SV 6534 | | 65 3/4" | " | 6'10" | 67" | 67 3/8" |
| SV 6734 | | 67 3/4" | " | 7' | 69" | 69 3/8" |

Features

Fast, easy installation. No screws, no cutting. Snap-in assembly. All corners mitred for neat appearance. Slant design controls dust and dirt build-up.

Materials

KNC Door Lites are manufactured from rugged steel.

Finishes & Colors

KNC Steelite Door Lites are satin coated steel ready for painting

APPROVED FIRE PROTECTION FEATURES
 Independent testing company Warnock Hersey has tested the fire safety features of KNC Door Lites. They conform with recognized fire rating tests of 24-hour and 1-1 1/2-hours for label doors. KNC Door Lites meet such standards as: American Society for Testing Materials E-152; The National Fire Protection Association 252; and CAN4-G154.

Warnock Hersey
 Fire Laboratories Division



steel door louvers

Adjustable "Z" Blades with fire-actuated closure mechanism

Recommended for applications where positive fire separation is required.

All units equipped with 135° fusible link; tested for compliance and listed by the Underwriters Laboratories, Inc. for use in 1 1/2 hour rated doors.

Louver Blades of 16 gauge cold rolled steel pivot on cadmium-plated steel rivets.

SDL-FP louvers are supplied in a medium bronze baked silicone polyester powder. Other finishes available on request.

Maximum listed size: 24" x 24"

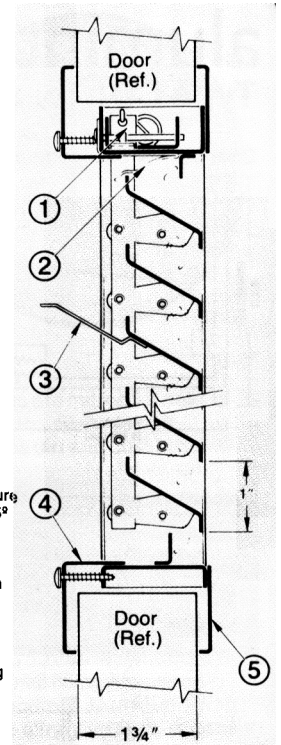
Free Area: 45%



STOCK SIZES

| | |
|--------|----------|
| SDL-FP | 12 x 12" |
| SDL-FP | 18 x 12" |
| SDL-FP | 20 x 12" |
| SDL-FP | 24 x 24" |

For Door Cut Out use above sizes (width is the first dimension listed).



- ① Heat-actuated Closure Mechanism with 135° Fusible Link
- ② Integral Blade Stop holds blades in open position.
- ③ Adjusting Tab
- ④ Adjustable Mounting Flange Frame
- ⑤ Fixed Face Frame