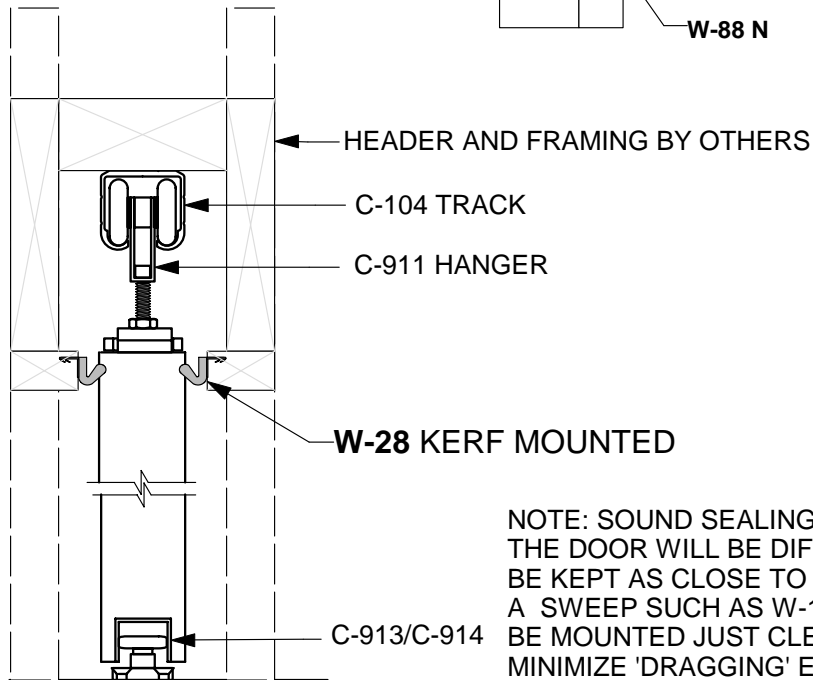
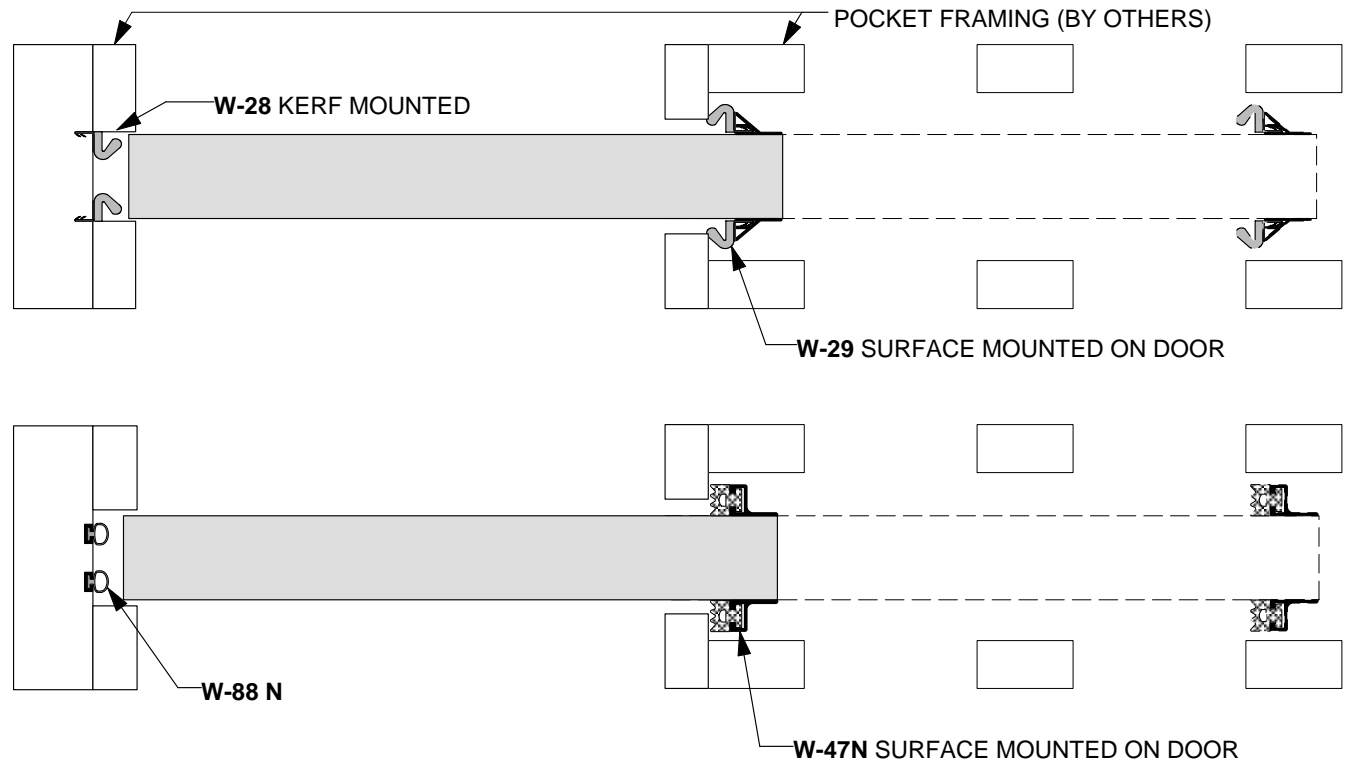



EMPIRE HARDWARE: ATTENTION STEVE.  
 HERE ARE SOME SUGGESTIONS FOR YOUR POCKET SEALING APPLICATION.

JOHN PARON



NOTE: SOUND SEALING THE BOTTOM OF THE DOOR WILL BE DIFFICULT. THE DOOR SHOULD BE KEPT AS CLOSE TO THE FLOOR AS POSSIBLE. A SWEEP SUCH AS W-11 MAY BE USED BUT IT SHOULD BE MOUNTED JUST CLEAR OF THE FLOOR INORDER TO MINIMIZE 'DRAGGING' EFFECT

|   |              |
|---|--------------|
| PRODUCT:  |              |
| CUSTOMER:   |              |
| PROJECT:  |              |
| DRAWN BY: John Paron  |              |
| 8.5 x 11 SCALE: 100%  |              |
| <br><b>K.N.CROWDER mfg. inc.</b><br>www.kncrowder.com<br>1220 BurlOak Drive<br>Burlington, Ontario L7L 6B3<br>Tel: (905) 315 9788<br>Fax: (905) 315 8090 | APPROVED BY: |
|   | DWG N°:      |

DATE HERE