

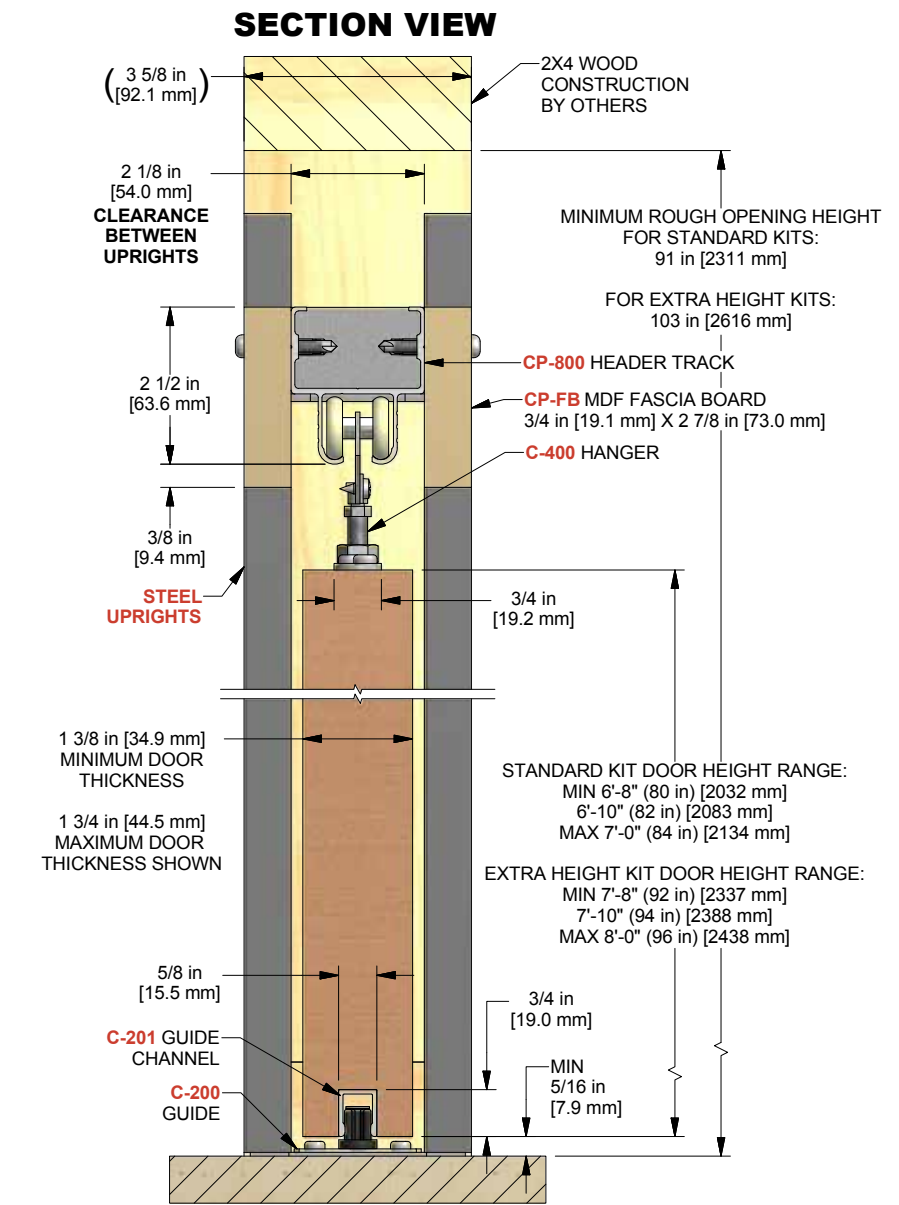
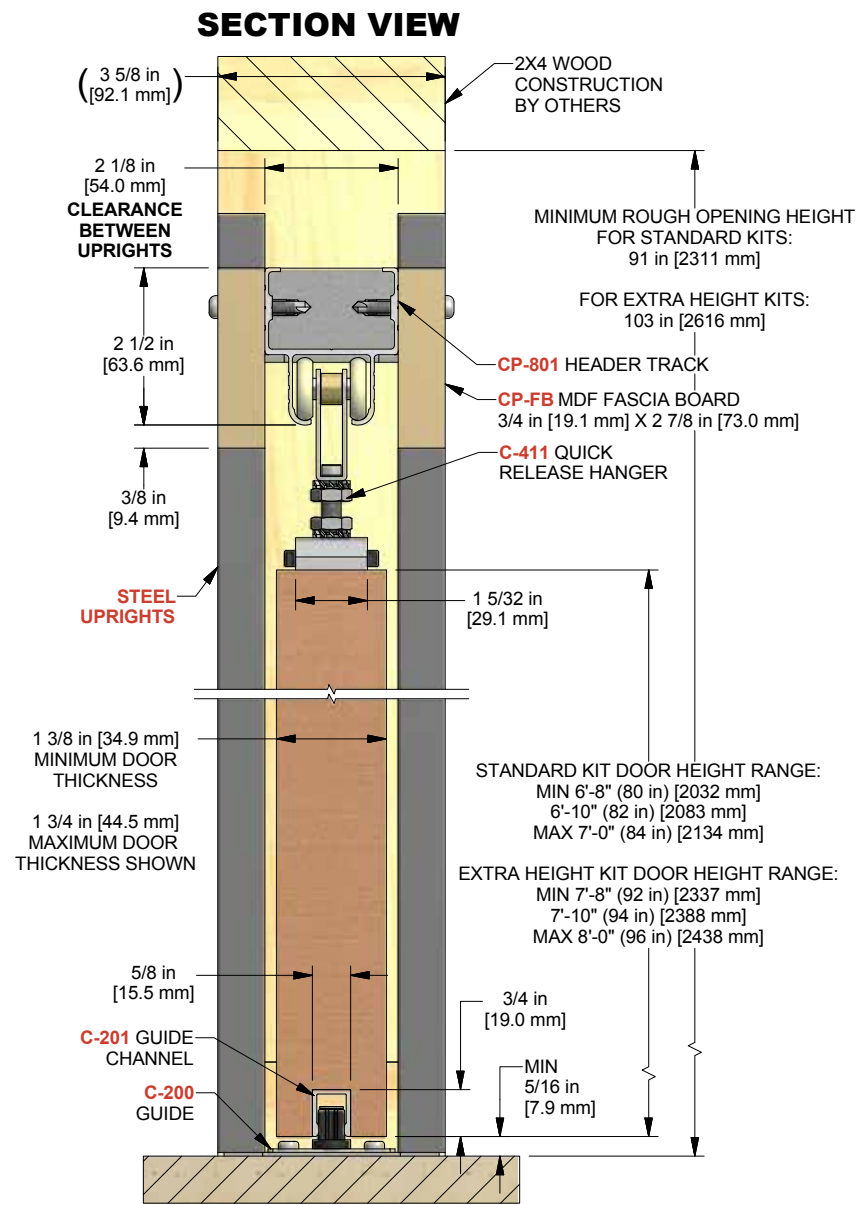
C-201/C-200 GUIDE SYSTEM FOR TYPE C/B CROWDERFRAME POCKET DOOR KITS

INSTRUCTION SHEET

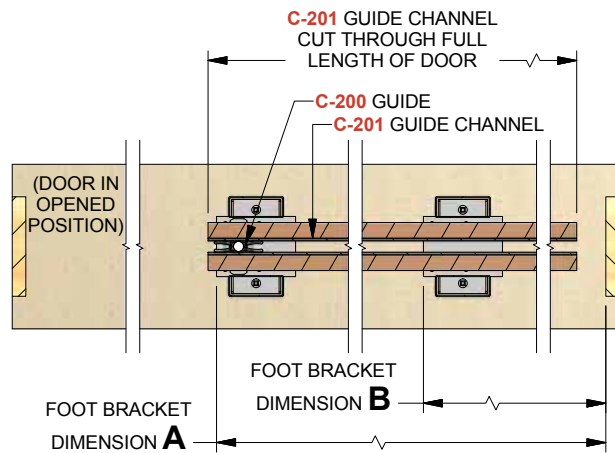


TYPE C CROWDERFRAME POCKET DOOR KIT DIMENSION DETAILS (WITH C-201/C-200 GUIDE SYSTEM)

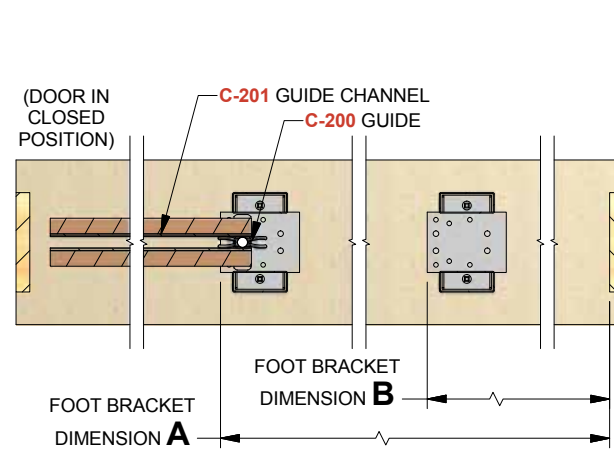
TYPE B CROWDERFRAME POCKET DOOR KIT DIMENSION DETAILS (WITH C-201/C-200 GUIDE SYSTEM)



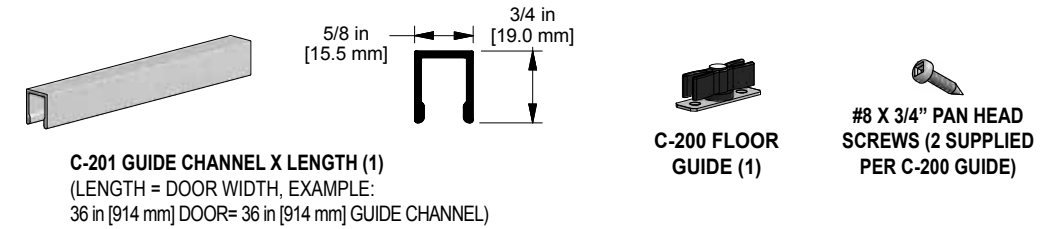
PLAN VIEW (DOOR IN OPENED POSITION)



PLAN VIEW (DOOR IN CLOSED POSITION)



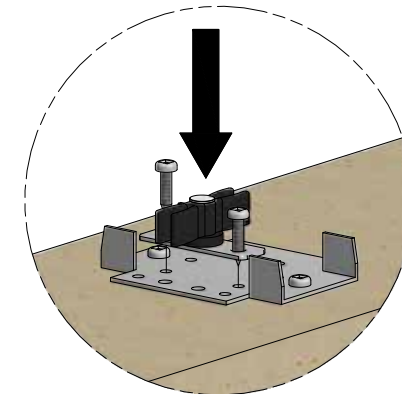
PARTS REQUIRED



INSTALLATION INSTRUCTIONS FOR C-201/C-200 GUIDE SYSTEM

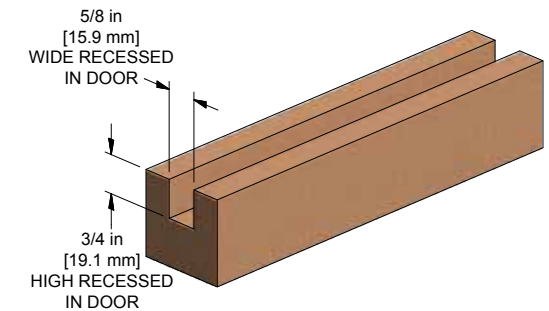
STEPS #1 TO 7 OR 8:
FOLLOW STEPS FROM TYPE B (STEPS #1 TO 8) OR TYPE C (STEPS #1 TO #7) SINGLE DOOR POCKET KIT INSTRUCTION SHEETS.

STEP #8 OR 9:
INSTEAD OF STEP #9 FROM TYPE B OR STEP #8 FROM TYPE C INSTRUCTION SHEET, PLEASE FOLLOW THE FOLLOWING STEP:
PLACE C-200 GUIDE (1) ON FOOT BRACKET CLOSEST TO THE OPENING END AND SECURE WITH #8 X 3/4" PAN HEAD SCREWS (2).

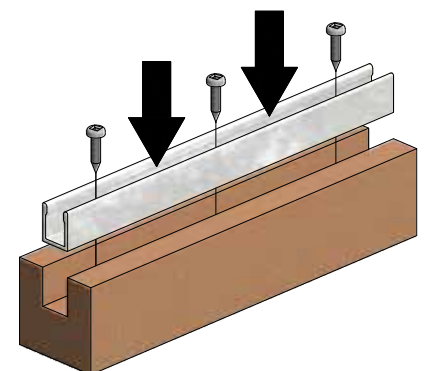


STEPS #9 OR 10 TO 10 OR 11:
FOLLOW STEPS FROM TYPE B (STEPS #10 TO 11) OR TYPE C (STEPS #9 TO #10) SINGLE DOOR POCKET KIT INSTRUCTION SHEETS.

STEP #10B OR 11B:
IN BETWEEN STEPS #11 & 12 FROM TYPE B OR STEP #10 & 11 FROM TYPE C INSTRUCTION SHEET, PLEASE FOLLOW THE FOLLOWING STEP BEFORE PROCEEDING:
PREPARE C-201 GUIDE CHANNEL IN THE BOTTOM OF THE DOOR 5/8 in [15.9 mm] WIDE IN CENTER OF DOOR, AND 3/4 in [19.1 mm] DEEP. IT IS RECOMMENDED TO MAKE THE SLOT AS ACCURATE AS POSSIBLE FOR SECURE FIT AND NEAT APPEARANCE. SEE RIGHT:



STEP #10C OR 11C:
AFTER ABOVE STEP, PLEASE FOLLOW THE FOLLOWING STEP BEFORE PROCEEDING.
CUT C-201 ALUMINUM GUIDE CHANNEL TO CORRECT LENGTH AS REQUIRED. DRILL HOLES IN C-201 GUIDE CHANNEL, AND PRE-DRILL HOLES IN DOOR. LOCATE C-201 GUIDE CHANNEL IN SLOT AND SCREW CHANNEL INTO PLACE WITH RECOMMENDED #8 SCREWS BY OTHERS. SEE RIGHT:



STEPS #11 OR 12 TO FINISH:
FOLLOW STEPS FROM TYPE B (STEPS #12) OR TYPE C (STEPS #11) TO COMPLETION ON THE SINGLE DOOR POCKET KIT INSTRUCTION SHEETS.