



**K.N. CROWDER MFG. INC.**  
 1220 BURLOAK DRIVE  
 BURLINGTON, ONTARIO  
 L7L 6B3 CANADA

**K.N. CROWDER. INC.**  
 210 EIGHTH STREET SOUTH  
 LEWISTON, NEW YORK  
 14092 U.S.A.

TOLL-FREE PHONE: 1-866-999-1KNC (1562)  
 WEBSITE: kncrowder.com  
 EMAIL: customerservice@kncrowder.com

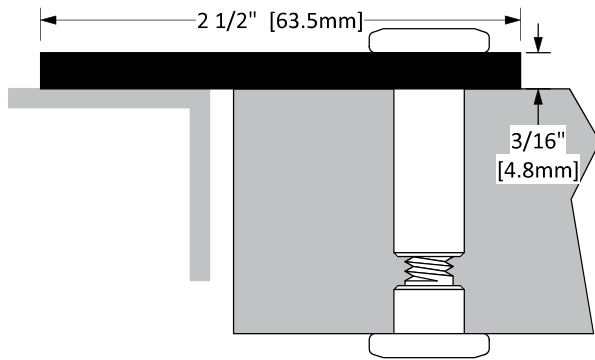
# W-10SP



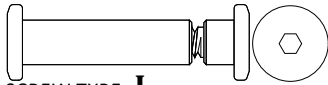
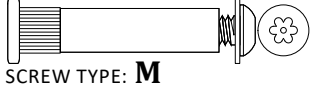
Intertek

### Finish Options

**STD** Primed C.R. Steel



### Screw Options

<b>STANDARD</b>	 SCREW TYPE: <b>L</b> WC-USB CUSTOM STAINLESS STEEL HEX DRIVE, UNIVERSAL CONNECTOR BOLT Ø3/8" OR "V" DRILL BIT CLEARANCE HOLE REQUIRED
	 SCREW TYPE: <b>M</b> 1/4-20 x 3/4" STAINLESS STEEL BUTTON HEAD, TAMPER- RESISTANT TORX, MACHINE SCREW WITH SECURITY SLEEVE & WASHER

<b>Operation</b>	Astragal
<b>Features</b>	<ul style="list-style-type: none"> <li>Primed C.R. Steel</li> </ul>
<b>Application</b>	<ul style="list-style-type: none"> <li>Ideal for Residential, Commercial &amp; Industrial</li> </ul>

**Part No.:** \_\_\_\_\_ **Part Description:** \_\_\_\_\_

**Customer Name:** \_\_\_\_\_ **Job No./Name:** \_\_\_\_\_ **Date:** \_\_\_\_\_ **Provided By:** \_\_\_\_\_

**Notes:**