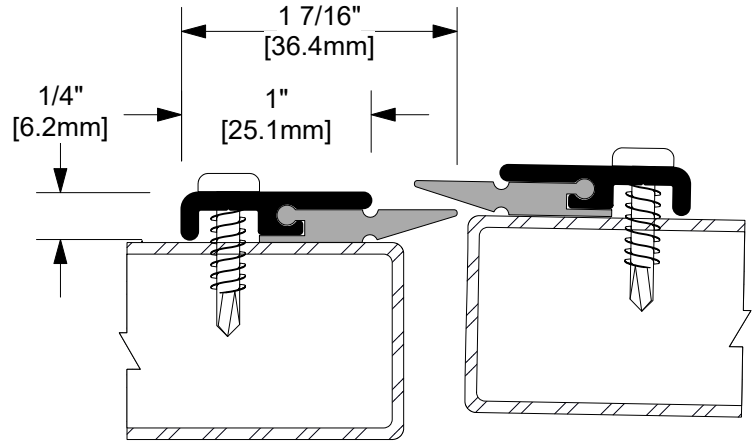


W-5S



KEY FEATURES:

OPERATION:

- Astragal Weatherstrip

MATERIAL:

- Clear Anodized Extruded Aluminum with Silicone Insert

APPLICATION:

- Intertek/Warnock Hersey CERTIFIED to following standards:
 - ASTM-E152, Methods of Fire Tests of Door Assemblies
 - CAN/ULC-S104, Standard Method for Fire Tests of Door Assemblies
 - CSFM-43.7, Methods of Fire Tests of Door Assemblies
 - NFPA-252, Standard Methods of Fire Tests of Door Assemblies
 - UBC-7-2-94, Uniform Building Code
 - UL-10(b), Fire Tests of Door Assemblies
- Suitable for use on metal doors and frames for 3 hour locations; for 90 minutes in mineral core wood and plastic lam faced fire doors applications with 90 minute wood veneered steel frames.

Part Number:	Part Description:		
Customer Name:	Job Number/Name:	Date:	Provided By:
Notes:			