



K.N. CROWDER MFG. INC.
 1220 BURLOAK DRIVE
 BURLINGTON, ONTARIO
 L7L 6B3 CANADA

K.N. CROWDER. INC.
 210 EIGHTH STREET SOUTH
 LEWISTON, NEW YORK
 14092 U.S.A.

TOLL-FREE PHONE: 1-866-999-1KNC (1562)
 WEBSITE: kncrowder.com
 EMAIL: customerservice@kncrowder.com

W-8-SS

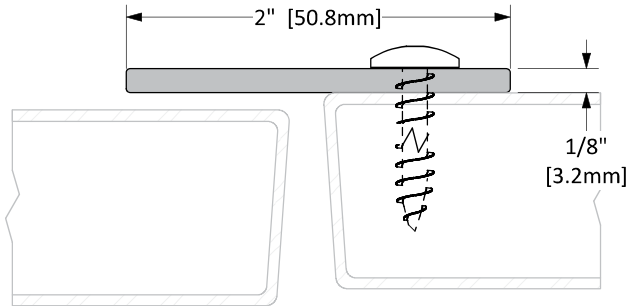


Intertek

Finish Options

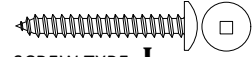
STD

18 GA. 304 Stainless Steel 2B



Screw Options

STANDARD



SCREW TYPE: **J**
 #10 x 1-1/2" STAINLESS STEEL
 TRUSS HEAD, ROBERTSON DRIVE,
 TYPE A SCREWS

OPTIONAL



SCREW TYPE: **K**
 #10 x 1-1/2" STAINLESS STEEL
 BUTTON HEAD, TAMPER-
 RESISTANT TORX DRIVE, TYPE A
 SCREWS



SCREW TYPE: **L**
 WC-USB CUSTOM STAINLESS
 STEEL HEX DRIVE, UNIVERSAL
 CONNECTOR BOLT Ø3/8" OR
 "V" DRILL BIT CLEARANCE HOLE
 REQUIRED

Operation	Astragal
Features	<ul style="list-style-type: none"> Stainless Steel
Application	<ul style="list-style-type: none"> Ideal for Residential, Commercial & Industrial

Part No.:

Part Description:

Customer Name:

Job No./Name:

Date:

Provided By:

Notes: