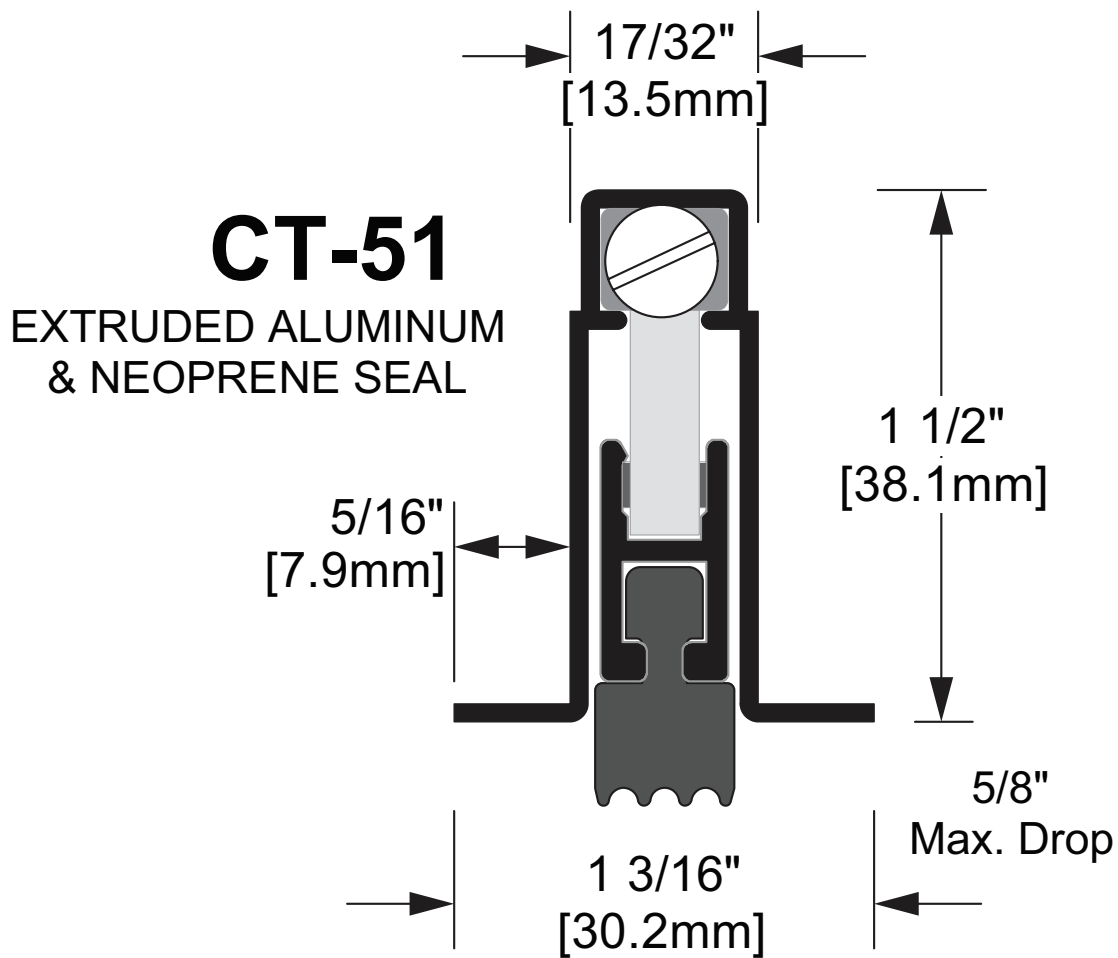


CT-51

Features	<ul style="list-style-type: none"> *Regular duty mortised *Neoprene seal *Mill finish
-----------------	--



Part No.	Part Description		
Customer Name	Job No./Name	Date	Provided By
Note			