



K.N. CROWDER MFG. INC.
 1220 BURLOAK DRIVE
 BURLINGTON, ONTARIO
 L7L 6B3 CANADA

K.N. CROWDER INC.
 210 EIGHTH STREET SOUTH
 LEWISTON, NEW YORK
 14092 U.S.A.

TOLL-FREE PHONE: 1-866-999-1KNC (1562)
 WEBSITE: kncrowder.com
 EMAIL: customerservice@kncrowder.com
 © 2021 K.N. CROWDER MFG. INC. All Rights Reserved.

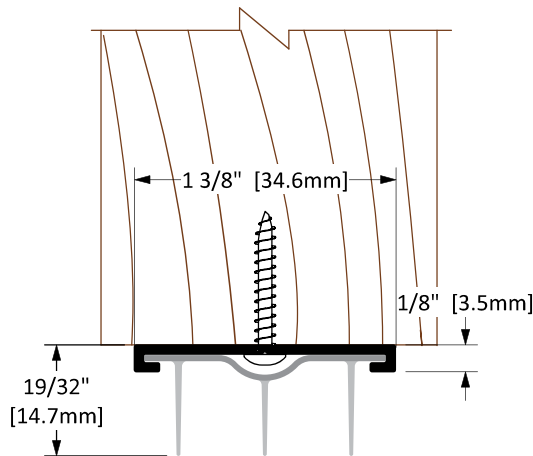
NEW **CT-548**



Finish Options

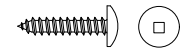
STD

Mill Finish



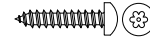
Screw Options

STANDARD



SCREW TYPE: **N**
 #6 X 3/4" STAINLESS STEEL TRUSS
 HEAD, ROBERTSON DRIVE, TYPE A
 SCREWS

OPTIONAL



SCREW TYPE: **O**
 #6 X 3/4" STAINLESS STEEL BUTTON
 HEAD, TAMPER-RESISTANT TORX
 DRIVE, TYPE A SCREWS

Operation	• Door Shoe
Features	• Mill Finish Extruded Aluminum with Santoprene Co-Extrusion
Application	• Ideal for Residential, Commercial & Industrial

Part No.: **Part Description:**

Customer Name: **Job No./Name:** **Date:** **Provided By:**

Notes: