



# W-13S-2-SS



## Finish Options

**STD**

18 GA. 304 Stainless Steel 2B

## Screw Options

**STANDARD**

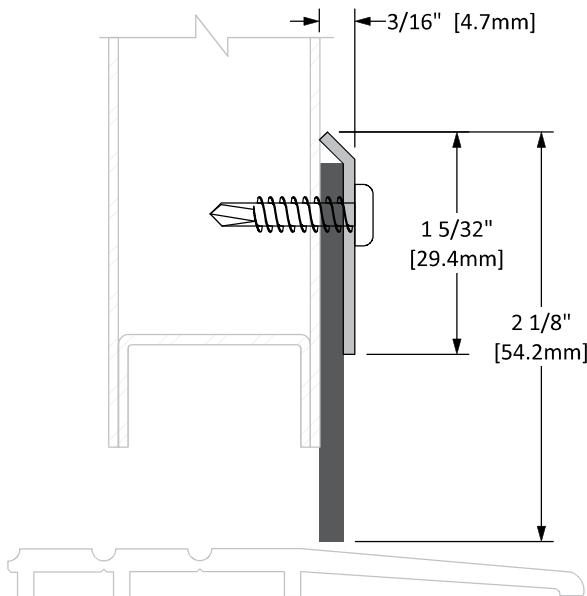


SCREW TYPE: **A**  
#8 X 3/4" STAINLESS STEEL PAN  
HEAD, ROBERTSON DRIVE, TEK  
SCREWS

**OPTIONAL**



SCREW TYPE: **B**  
#8 X 3/4" STAINLESS STEEL PAN  
HEAD, TAMPER-RESISTANT TORX  
DRIVE, TEK SCREWS



<b>Operation</b>	Door Sweep
<b>Features</b>	<ul style="list-style-type: none"> <li>Stainless Steel with Black Solid Neoprene</li> </ul>
<b>Application</b>	<ul style="list-style-type: none"> <li>Ideal for Residential, Commercial &amp; Industrial</li> </ul>

**Part No.:**

**Part Description:**

**Customer Name:**

**Job No./Name:**

**Date:**

**Provided By:**

**Notes:**