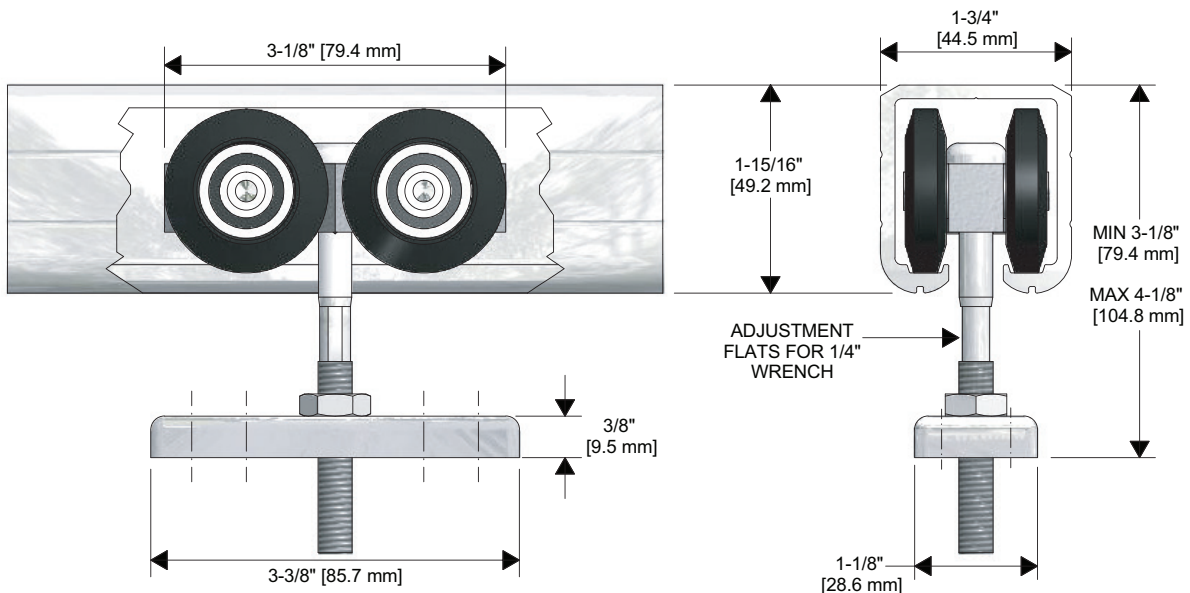


## C-206-4



### KEY FEATURES:

- Top mount hanger (**C-206-4**)
- For Single, Bi-parting, By-Passing, Pocket or Wall Mounted doors.
- Four Precision Ground Ball Bearing, Steel Tire Wheels.
- Use with Extruded Aluminum **C-204** Track, 6061T6 Alloy
- Load Capacity **225lbs. (two hangers)**



<b>Part Number:</b>	<b>Part Description:</b>		
<b>Customer Name:</b>	<b>Job Number/Name:</b>	<b>Date:</b>	<b>Provided By:</b>
<b>Notes:</b>			