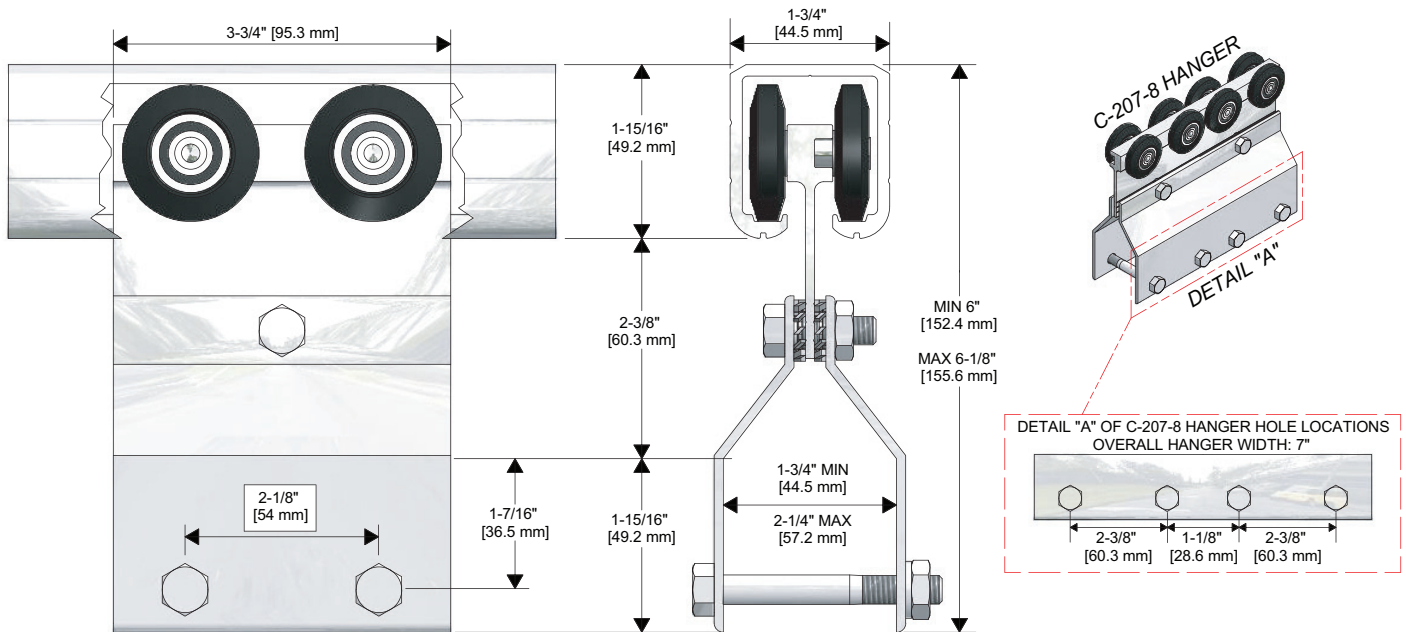


C-207-4 OR C-207-8



KEY FEATURES:

- Heavy-duty clamp type face mounting hangers for Single, Bi-parting, By-Passing, Pocket or Wall Mounted doors.
- **C-207-4** Hangers c/w Four Precision Ground Ball Bearing, Steel Tire Wheels.
- Load Capacity **500lbs. (two hangers)**
- **C-207-8** Hangers c/w Eight Precision Ground Ball Bearing, Steel Tire Wheels.
- Load Capacity **700lbs. (two hangers)**
- Use with Extruded Aluminum **C-204** Track, 6061T6 Alloy



Part Number:	Part Description:		
Customer Name:	Job Number/Name:	Date:	Provided By:
Notes:			