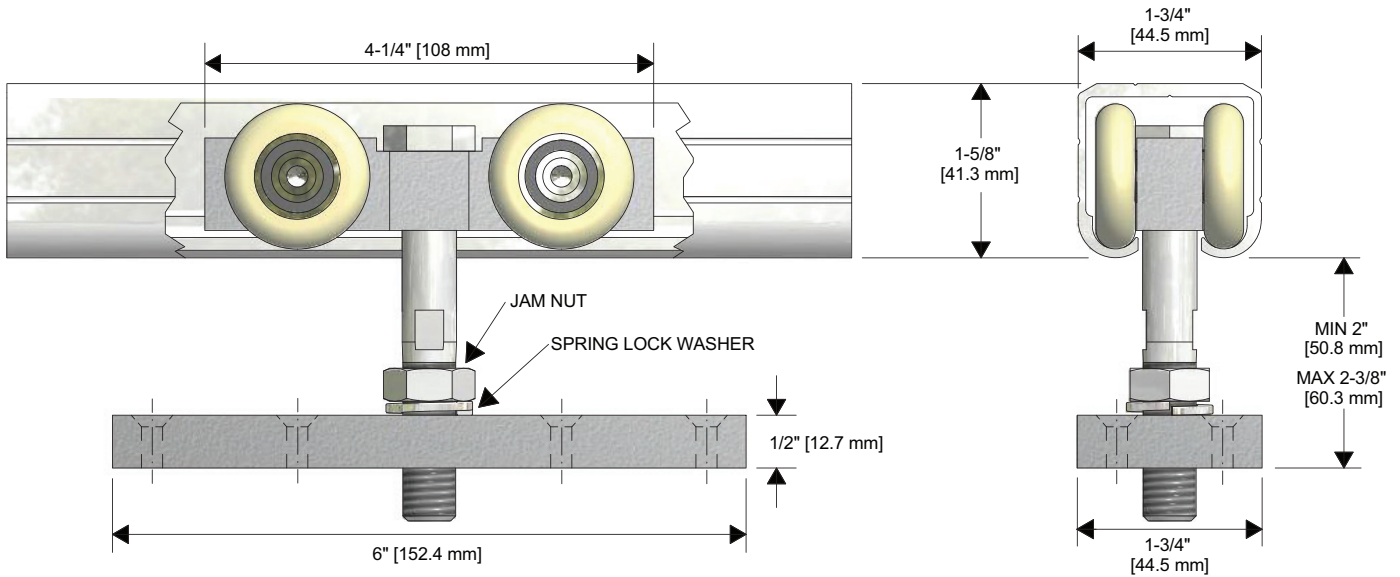


C-818HD



KEY FEATURES:

- Heavy-duty top mount hanger (**C-818HD**) for Single, Bi-parting, By-Passing, Pocket or Wall Mounted doors.
- Four Precision Ground Ball Bearing, Nylon Tire Wheels.
- Complete with 7/16" [11.1mm] diameter bolt with 3/8" [9.5mm] adjustment range.
- Use with Extruded Aluminum **C-104** Track, 6063T5 Alloy
- Load Capacity **450lbs. (two hangers)**



Part Number:	Part Description:		
Customer Name:	Job Number/Name:	Date:	Provided By:
Notes:			