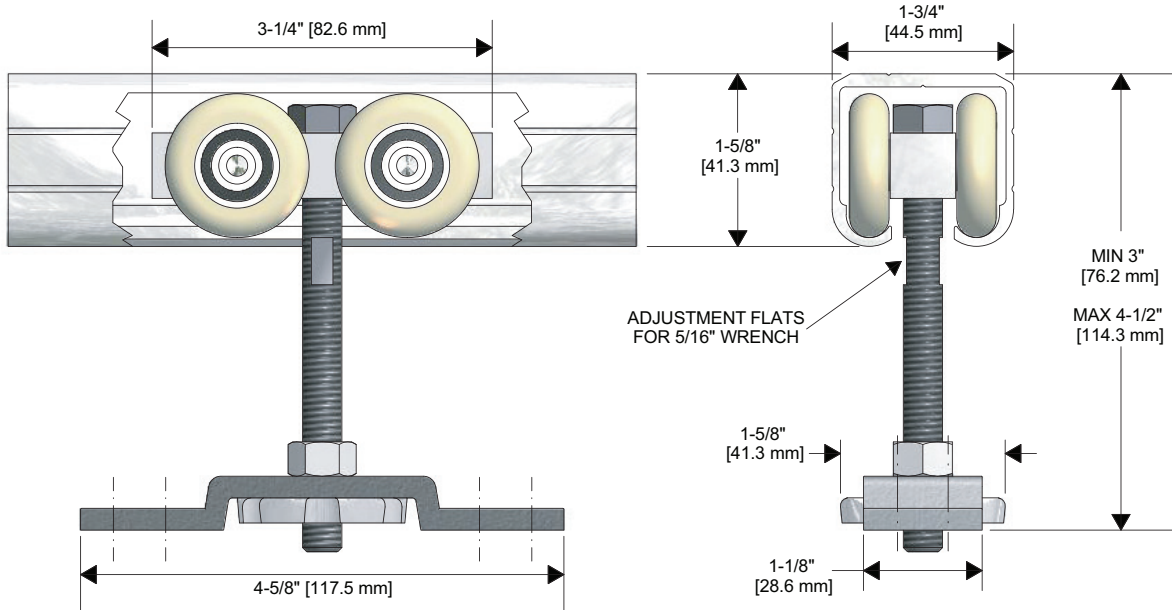


## C-994



### KEY FEATURES:

- Top mount hanger (**C-994**)
- Heavy-duty Steel hanger with “Spinwheel” adjuster for for Single, Bi-parting, By-Passing, Pocket or Wall Mounted doors.
- Four Precision Ground Ball Bearing, Nylon Tire Wheels.
- 1-1/2” [38.1mm] adjustment range.
- Use with Extruded Aluminum **C-104** Track, 6063T5 Alloy
- Load Capacity **350lbs. (two hangers)**



<b>Part Number:</b>	<b>Part Description:</b>		
<b>Customer Name:</b>	<b>Job Number/Name:</b>	<b>Date:</b>	<b>Provided By:</b>
<b>Notes:</b>			