



K.N. CROWDER MFG. INC.
 1220 BURLOAK DRIVE
 BURLINGTON, ONTARIO
 L7L 6B3 CANADA

K.N. CROWDER. INC.
 210 EIGHTH STREET SOUTH
 LEWISTON, NEW YORK
 14092 U.S.A.

TOLL-FREE PHONE: 1-866-999-1KNC (1562)
 WEBSITE: kncrowder.com
 EMAIL: customerservice@kncrowder.com

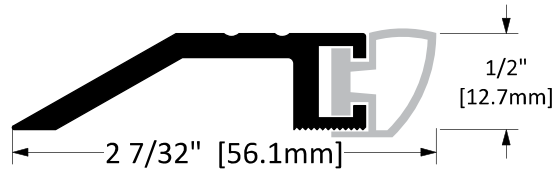


CT-34






Finish Options

OPTIONAL	STD	Mill Finish
		Bronze Anodized
		Black Anodized
		Clear Anodized



Screw Options

OPTIONAL	STANDARD	 SCREW TYPE: G 3/16" X 1-3/4" HI-LO TAPPING THREAD, GREY PHILLIPS DRIVE, CONCRETE SCREWS (5/32" PRE-DRILL REQUIRED)
		 SCREW TYPE: H #10 X 1-3/4" STAINLESS STEEL FLAT HEAD, ROBERTSON DRIVE, TYPE A SCREWS (COMPLETE WITH NYLON ANCHOR)
		 SCREW TYPE: I #10 X 2" STAINLESS STEEL FLAT HEAD, TAMPER-RESISTANT TORX DRIVE, TYPE A SCREWS (COMPLETE WITH NYLON ANCHOR)

Operation	Stop Strip
Features	<ul style="list-style-type: none"> • Mill Finish Extruded Aluminum with Silicone
Application	<ul style="list-style-type: none"> • Ideal for Residential, Commercial & Industrial

Part No.: _____ **Part Description:** _____

Customer Name: _____ **Job No./Name:** _____ **Date:** _____ **Provided By:** _____

Notes: