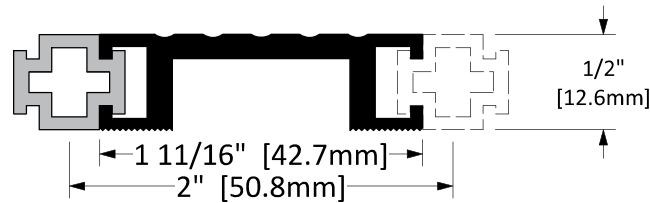



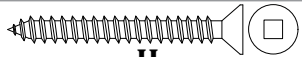

# CT-41-1

## Finish Options

**STD** Mill Finish



## Screw Options

<b>STANDARD</b>	 SCREW TYPE: <b>G</b> 3/16" X 1-3/4" HI-LO TAPPING THREAD, GREY PHILLIPS DRIVE, CONCRETE SCREWS (5/32" PRE-DRILL REQUIRED)
	 SCREW TYPE: <b>H</b> #10 X 1-3/4" STAINLESS STEEL FLAT HEAD, ROBERTSON DRIVE, TYPE A SCREWS (COMPLETE WITH NYLON ANCHOR)
<b>OPTIONAL</b>	 SCREW TYPE: <b>I</b> #10 X 2" STAINLESS STEEL FLAT HEAD, TAMPER-RESISTANT TORX DRIVE, TYPE A SCREWS (COMPLETE WITH NYLON ANCHOR)

<b>Operation</b>	Thermal Break Threshold
<b>Features</b>	<ul style="list-style-type: none"> <li>• Mill Finish Extruded Aluminum</li> <li>• One insert included</li> </ul>
<b>Application</b>	<ul style="list-style-type: none"> <li>• Ideal for Residential, Commercial &amp; Industrial</li> </ul>

**Part No.:** **Part Description:**

**Customer Name:** **Job No./Name:** **Date:** **Provided By:**

**Notes:**