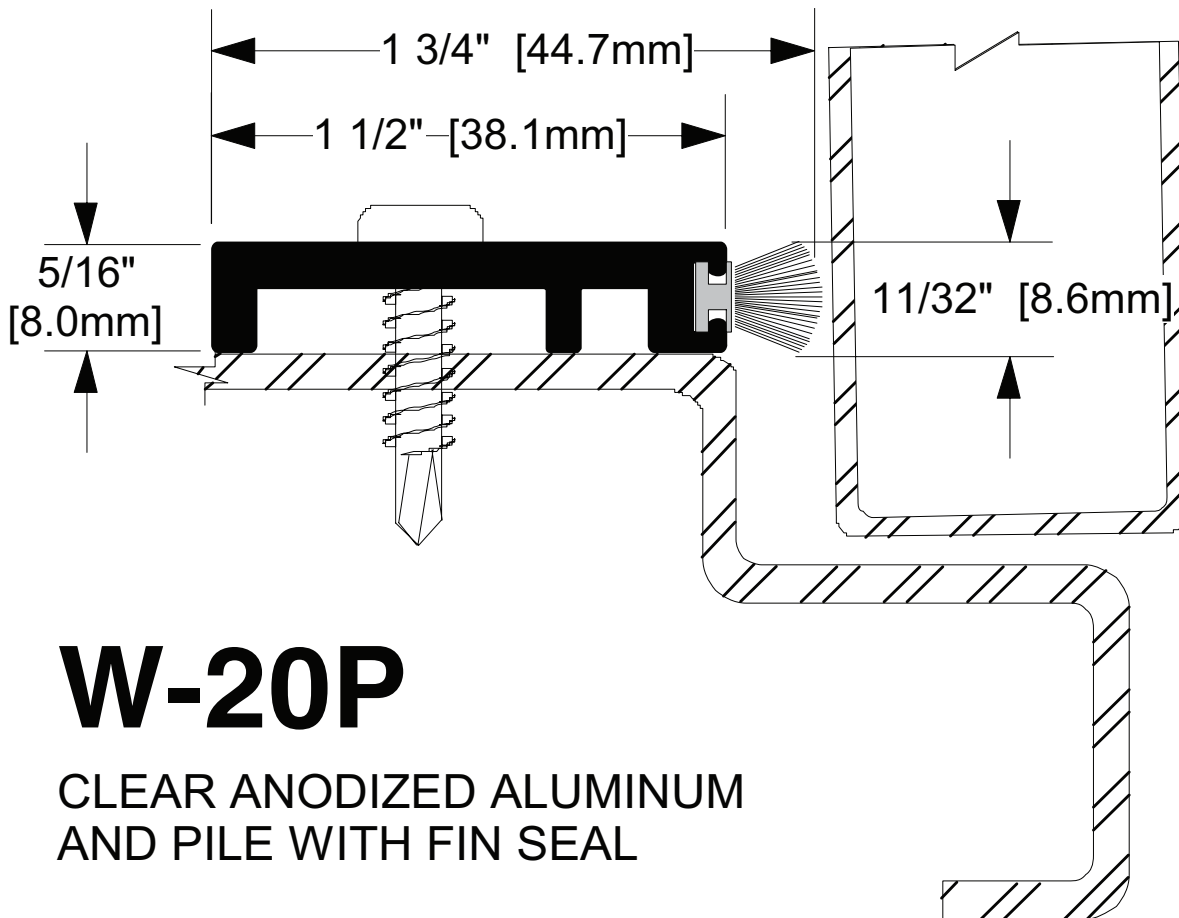


# W-20P

<b>Operation</b>	Weatherstrip
<b>Features</b>	Clear Anod. Extruded Alum. w/Pile Inserts
<b>Application</b>	Heavy Duty For All Types



## W-20P

CLEAR ANODIZED ALUMINUM  
AND PILE WITH FIN SEAL

<b>Part No.</b>	<b>Part Description</b>		
<b>Customer Name</b>	<b>Job No./Name</b>	<b>Date</b>	<b>Provided By</b>
<b>Note</b>			