

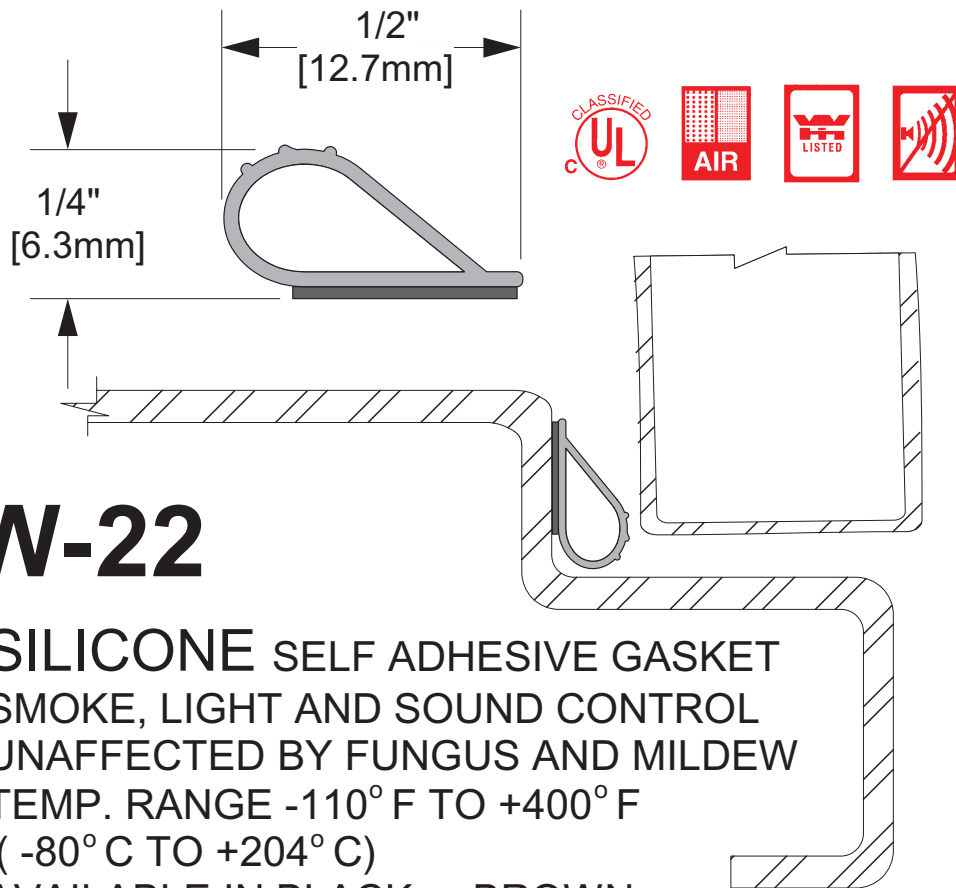


Canada
 K.N. CROWDER MFG. INC.
 1220 Burloak Drive
 Burlington, Ontario
 L7L 6B3
 Telephone (905) 315-9788
 Toll Free Fax 1-800-567-0123
 customerservice@kncrowder.com

USA
 K.N. CROWDER INC.
 210 Eighth Street South
 Lewiston, New York
 14092
 Telephone (716) 754-8247
 Toll Free Fax 1-800-567-0123
 customerservice@kncrowder.com

W-22

Operation	Replacement Weatherstrip Gasketing
Features	Gasketing Material For Fire Doors



W-22

- SILICONE SELF ADHESIVE GASKET
- SMOKE, LIGHT AND SOUND CONTROL
- UNAFFECTED BY FUNGUS AND MILDEW
- TEMP. RANGE -110° F TO +400° F
 (-80° C TO +204° C)
- AVAILABLE IN BLACK or BROWN

Part No.	Part Description		
Customer Name	Job No./Name	Date	Provided By
Note			