

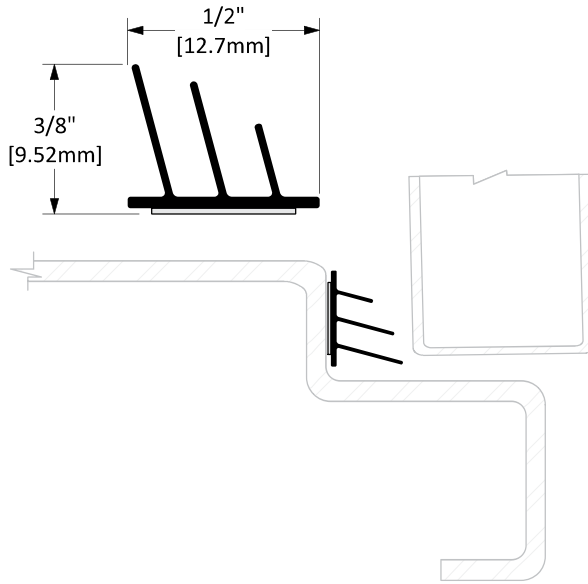
# W-63



Intertek

### Colour Options

Black



USED FOR  
 EFFECTIVE  
 SOUND  
 CONTROL

<b>Operation</b>	Replacement Weatherstrip Gasketing for Fire Doors
<b>Features</b>	<ul style="list-style-type: none"> <li>• Silicone Self-Adhesive Gasket</li> <li>• Smoke, light and sound control</li> <li>• Unaffected by fungus and mildew</li> <li>• Temperature range: -110°F to +400°F (-80°C to +204°C)</li> <li>• Provides little resistance to door closing devices</li> <li>• Shelf life: 6 months at room temperature</li> </ul>
<b>Application</b>	<ul style="list-style-type: none"> <li>• Ideal for Residential, Commercial, &amp; Industrial</li> </ul>

**Part No.:**

**Part Description:**

**Customer Name:**

**Job No./Name:**

**Date:**

**Provided By:**

**Notes:**