

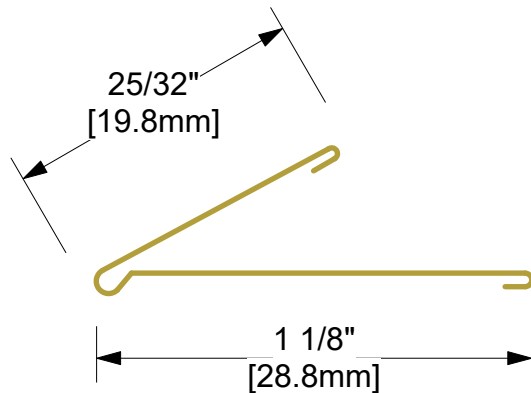


K.N. CROWDER MFG. INC. 1220 Burloak Drive, Burlington, Ontario L7L 6B3  
 Telephone: 905-315-9788 Fax: 905-315-8090

K.N. CROWDER INC. 210 Eighth Street South, Lewiston, New York 14092  
 Telephone: 716-754-8247

Toll Free Telephone: 1-866-999-1KNC (1562) Toll Free Fax: 1-800-567-0123  
 Email: [customerservice@kncrowder.com](mailto:customerservice@kncrowder.com)  
 Website: <http://www.kncrowder.com>

# W-68



## KEY FEATURES:

### OPERATION:

- Spring Weatherstrip

### MATERIAL:

- Brass/Bronze

### APPLICATION:

- For sealing between jamb & door
- Ideal for wood doors
- Only available in 8ft (96") [2438.4mm] lengths

<b>Part Number:</b>	<b>Part Description:</b>		
<b>Customer Name:</b>	<b>Job Number/Name:</b>	<b>Date:</b>	<b>Provided By:</b>
<b>Notes:</b>			