

SIDE MOUNT DOOR SYSTEM ZERO CLEARANCE CATCH'N'CLOSE HANGER



CCS-410-W Zero Clearance Catch'N'Close Hanger

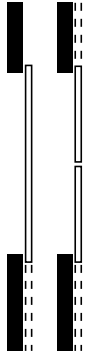
Key Product Features:

- Nylon Wheels with Precision Ground Ball Bearings
- Proudly North American made
- Allows for a minimal clearance of 3/16 in [4.8 mm] between the top edge of the door and the underside of the track
- **CC-410** Hanger Load Capacity **150 lbs. (two Hangers)**
- **CC-408** Extruded Aluminum Side Mount Track, 6061-T5 Alloy
- Includes:

CATCH'N'CLOSE™
Closes safely and silently



1 3/4 in
[44.5 mm]
OR
1 3/8 in
[34.9 mm]



ARCHITECTURE & DESIGN
COLLECTION

INCLUDES
CATCH'N'CLOSE

HOW TO SPECIFY/ORDER CCS-410-W FOR ONE DOOR OPENING

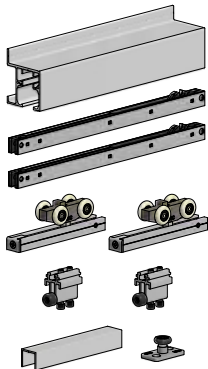
KIT CODE:

CCS-1-410-W X [track length] 1DR KIT

Above kit includes:

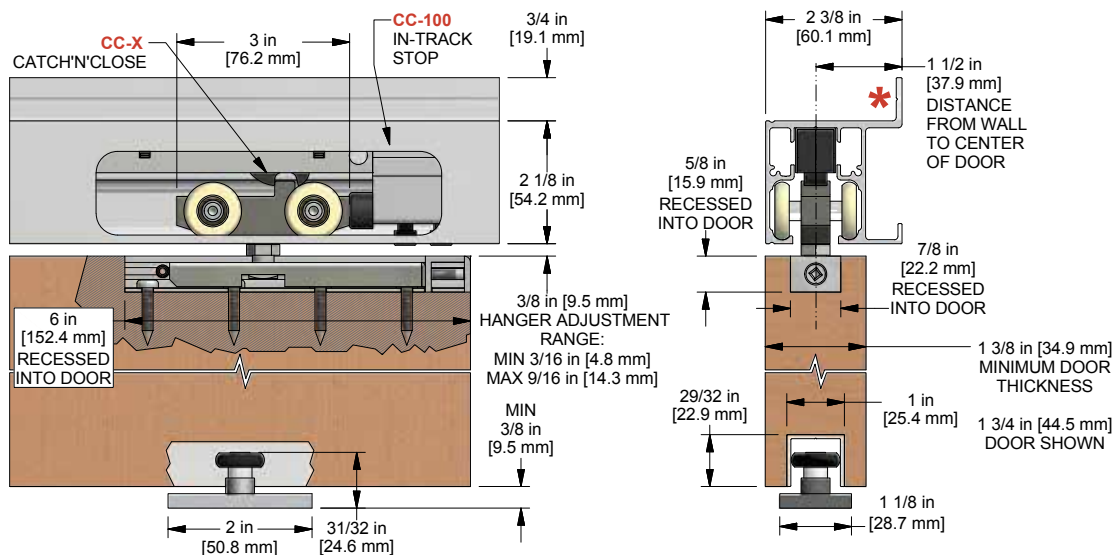
- 1 - CC-408 Side Mount Track X [track length]
(typically two x door width, example: 36 in wide door requires a 72 in long track)
- 2 - CC-410 Zero Clearance Catch'N'Close Hangers
- 2 - CC-1 Catch'N'Close Closing Devices
- 2 - CC-100 Catch'N'Close In-Track Stops
- 1 - C-914 Guide Channel x [door width] (example: 36 in wide door requires a 36 in long guide channel)
- 1 - C-913 Floor Guide

(For doors weighing 75lbs or less, please use the CC-75 Catch'N'Close Closing Device, specify/order as CCS-75-410-W X [track length] 1DR KIT)



CCS-410-W KIT DETAILS (CC-410 HANGER, CC-408 TRACK, C-914/C-913 GUIDE SYSTEM)

*INDICATES MOUNTING FLANGE ON CC-408 TRACK



A PRODUCT OF K.N. CROWDER MFG. INC.

TOLL-FREE PHONE: 1-866-999-1KNC (1562) • WEBSITE: www.kncrowder.com • EMAIL: customerservice@kncrowder.com

© 2016 K.N. CROWDER MFG. INC. All Rights Reserved.