

CONCEALED SIDE MOUNT DOOR SYSTEM EASY CONNECT CATCH'N'CLOSE HANGER



CCSF-493-B Easy Connect Catch'N'Close Hanger

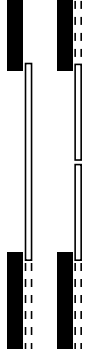
Key Product Features:

- Nylon Wheels with Precision Ground Ball Bearings
- Proudly North American made
- Easy installation with the quick disconnect hanger stud
- **CC-493** Hanger Load Capacity **150 lbs. (two Hangers)**
- **CC-408** Extruded Aluminum Side Mount Track, 6061-T5 Alloy
- **Includes:**

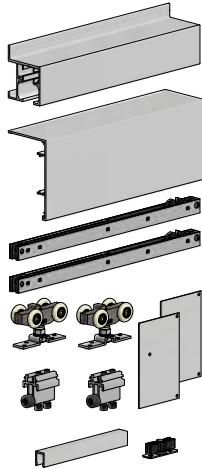
CATCH'N'CLOSE™
Closes safely and silently



1 3/4 in
[44.5 mm]
OR
1 3/8 in
[34.9 mm]



HOW TO SPECIFY/ORDER CCSF-493-B FOR ONE DOOR OPENING



KIT CODE:

CCSF-1-493-B X [track length] 1DR KIT

Above kit includes:

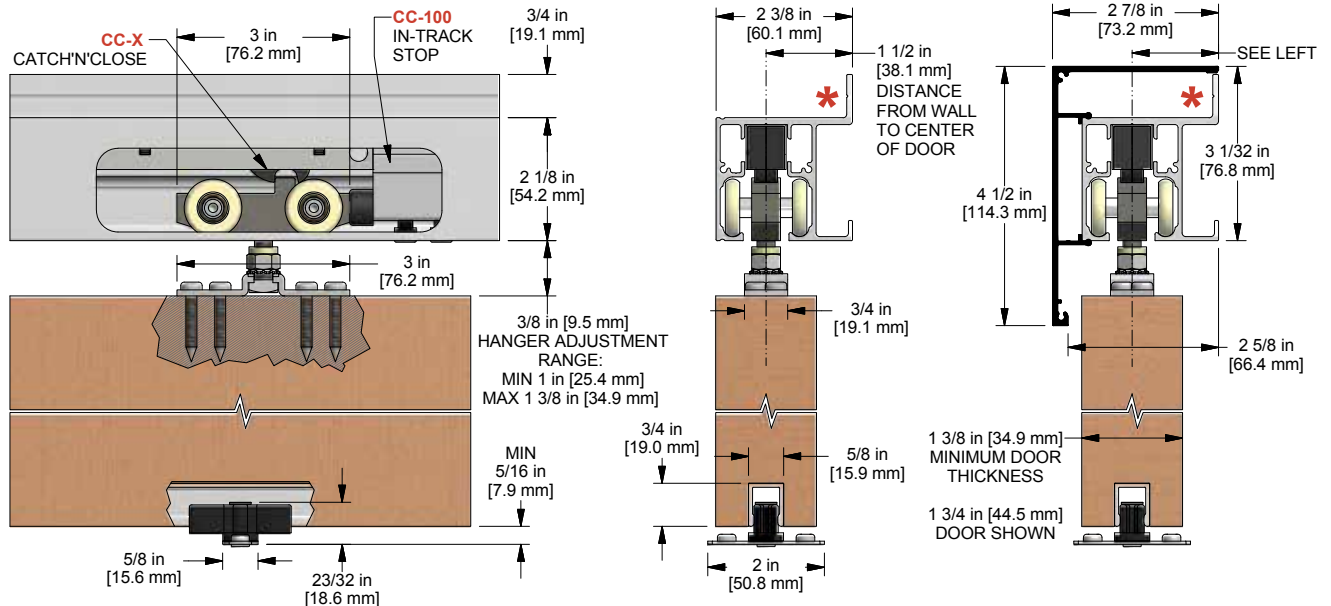
- 1 - **CC-408** Side Mount Track C.A. X [track length]
(typically two x door width, example: 36 in wide door requires a 72 in long track)
- 1 - **CC-480** Side Mount Fascia C.A. X [track length]
- 2 - **CC-482** End Caps C.A.
- 2 - **CC-493** Easy Connect Catch'N'Close Hangers
- 2 - **CC-1** Catch'N'Close Closing Devices (for doors weighing up to 150lbs)
- 2 - **CC-100** Catch'N'Close In-Track Stops
- 1 - **C-201** Guide Channel x [door width] (example: 36 in wide door requires a 36 in long guide channel)
- 1 - **C-200** Floor Guide

(For doors weighing 75lbs or less, please use the CC-75 Catch'N'Close Closing Device, specify/order as CCSF-75-493-B X [track length] 1DR KIT)

CCSF-493-B KIT DETAILS (CC-493 HANGER, CC-408 TRACK, CC-480 FASCIA, C-201/C-200 GUIDE SYSTEM)

*INDICATES MOUNTING FLANGE ON CC-408 TRACK]

[CC-480 SNAP-ON FASCIA ILLUSTRATED AS SOLID BLACK PROFILE]



A PRODUCT OF K.N. CROWDER MFG. INC.

TOLL-FREE PHONE: 1-866-999-1KNC (1562) • WEBSITE: www.kncrowder.com • EMAIL: customerservice@kncrowder.com

© 2016 K.N. CROWDER MFG. INC. All Rights Reserved.