



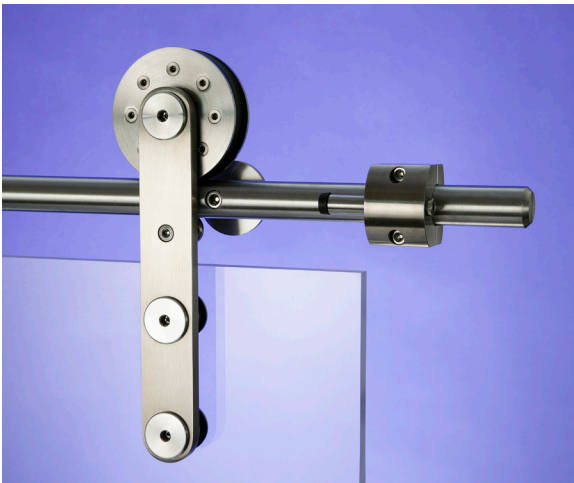
K.N.CROWDER MFG. INC

K.N. CROWDER MFG. INC. 1220 Burloak Drive, Burlington, Ontario L7L 6B3
Telephone: 905-315-9788 Fax: 905-315-8090

K.N. CROWDER INC. 210 Eighth Street South, Lewiston, New York 14092
Telephone: 716-754-8247

Toll Free Telephone: 1-866-999-1KNC (1562) Toll Free Fax: 1-800-567-0123
Email: customerservice@kncrowder.com
Website: <http://www.kncrowder.com>

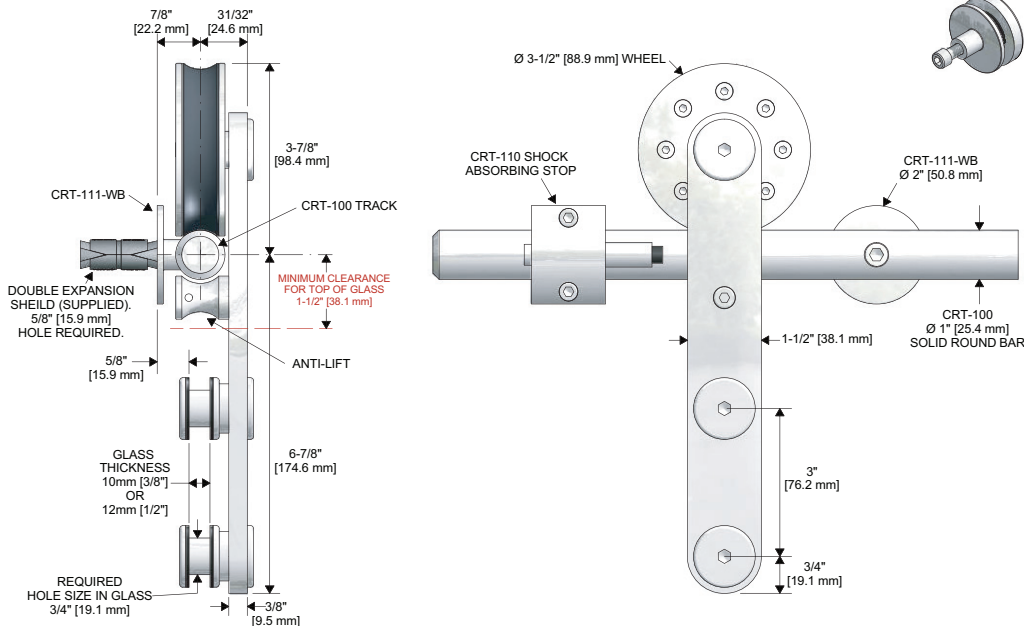
CRT-103-SS



KEY FEATURES:

- Face mount hanger for glass doors (**CRT-103**)
- Shock absorbing stops (Spring loaded)
- Exposed Hardware
- Wheel is Delrin combined with Precision Ground Ball Bearings (150,000 cycle tested)
- Precision machined and polished Solid 304 Satin Stainless Steel 1" [25.4 mm] round bar track (weighing 2.700 lbs per foot) and hardware components.
- Load Capacity **350lbs. (two hangers)**
- Load Capacity **450lbs. (three hangers)**
- Load Capacity **600lbs. (four hangers)**

CRT-103-GWB (Glass Wall Bracket)
Also Available. Please contact customer service for more information.



Part Number:	Part Description:		
Customer Name:	Job Number/Name:	Date:	Provided By:
Notes:			