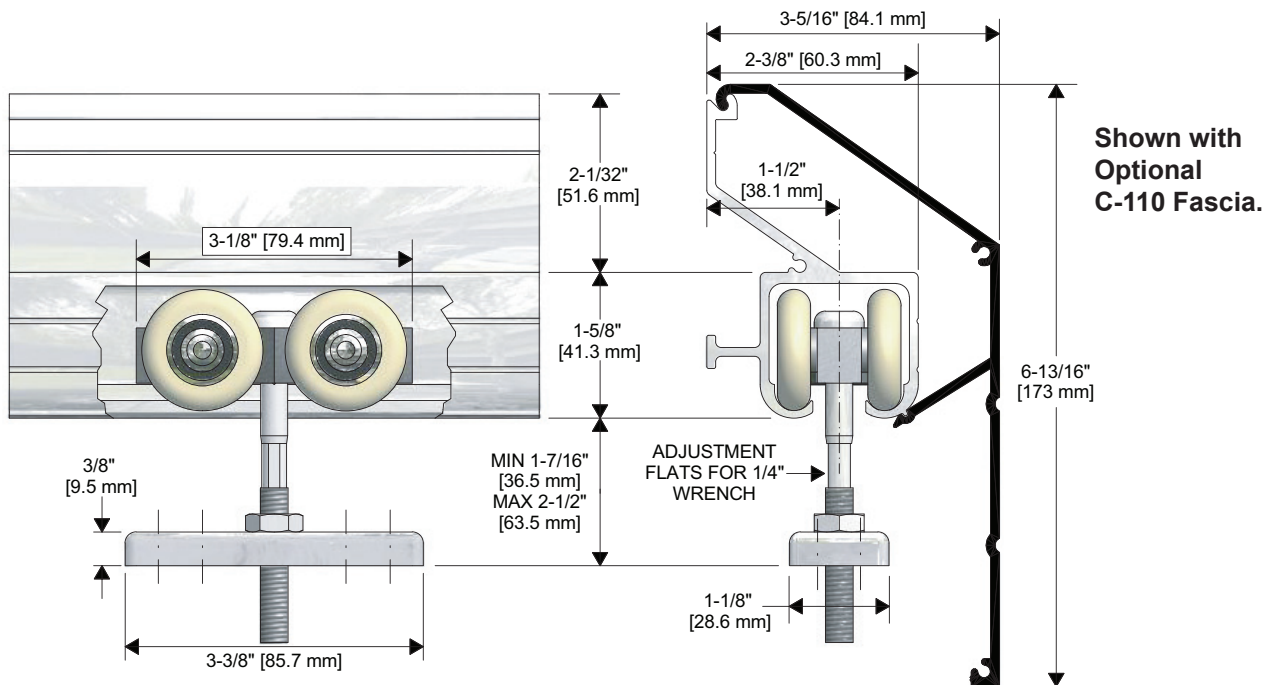


C-106-4-108



KEY FEATURES:

- Top mount hanger (**C-106-4**)
- For Single or Bi-parting Wall Mounted doors.
- Four Precision Ground Ball Bearing, Nylon Tire Wheels.
- Use with Extruded Aluminum **C-108** Side Mount Track, 6063T5 Alloy
- Optional Extruded Aluminum **C-110** Snap-on Fascia used to cover hardware (Kit No. **C-106-4-110**)
- Load Capacity **175lbs. (two hangers)**



Part Number:	Part Description:		
Customer Name:	Job Number/Name:	Date:	Provided By:
Notes:			