

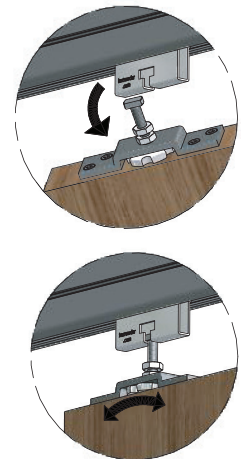
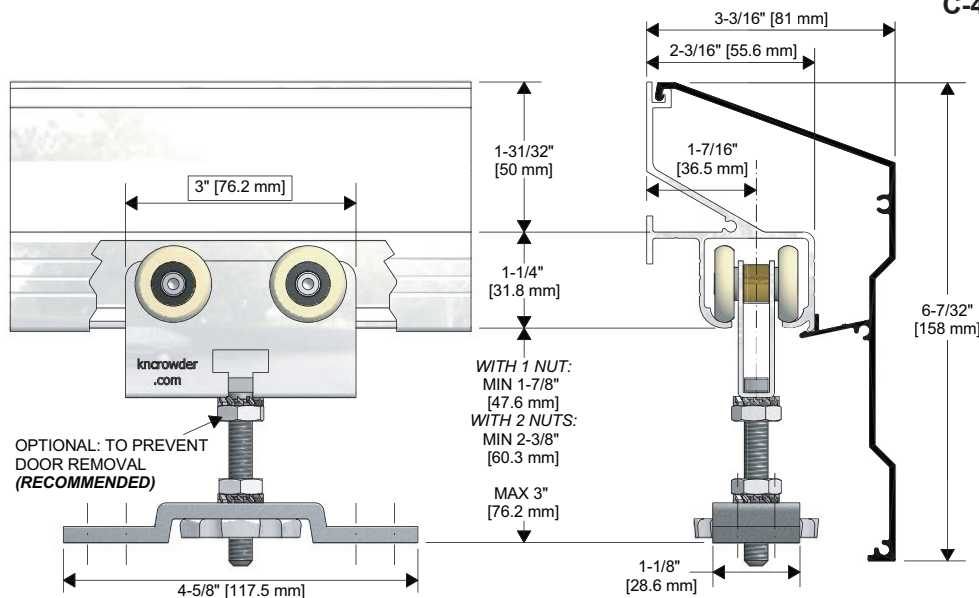
C-412



KEY FEATURES:

- Top mount Quick Release “Spinwheel” hanger (**C-411**)
- Hanger with quick release feature for fast and easy door removal, and easy installation.
- For Single or Bi-parting Wall Mounted doors.
- Four Precision Ground Ball Bearing, Nylon Tire Wheels.
- Reduces installation time allowing one person to install.
- Use with Extruded Aluminum **C-412** Side Mount Track, 6063T5 Alloy
- Optional Extruded Aluminum **C-413** Snap-on Fascia used to cover hardware (Kit No. **C-413**)
- Load Capacity **150lbs. (two hangers)**

Shown with
 Optional
C-413 Fascia.



Part Number:	Part Description:		
Customer Name:	Job Number/Name:	Date:	Provided By:
Notes:			