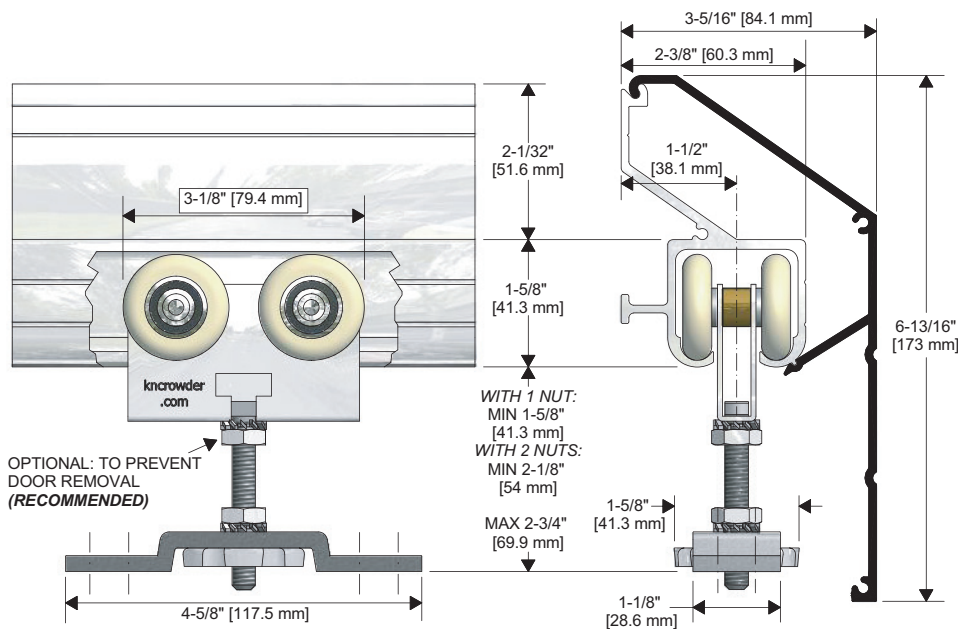


C-911-108

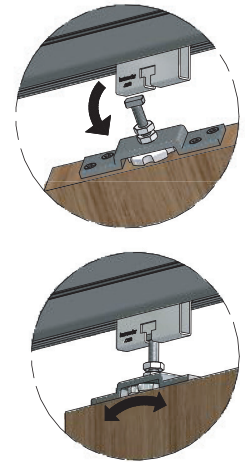


KEY FEATURES:

- Top mount Quick Release “Spinwheel” hanger (**C-911**)
- Hanger with quick release feature for fast and easy door removal, and easy installation.
- For Single or Bi-Parting Wall Mounted doors.
- Four Precision Ground Ball Bearing, Nylon Tire Wheels.
- Reduces installation time allowing one person to install.
- Use with Extruded Aluminum **C-108** Side Mount Track, 6063T5 Alloy
- Optional Extruded Aluminum **C-110** Snap-on Fascia used to cover hardware (Kit No. **C-911-110**)
- Load Capacity **200lbs. (two hangers)**



Shown with
Optional
C-110 Fascia.



Part Number:	Part Description:		
Customer Name:	Job Number/Name:	Date:	Provided By:
Notes:			