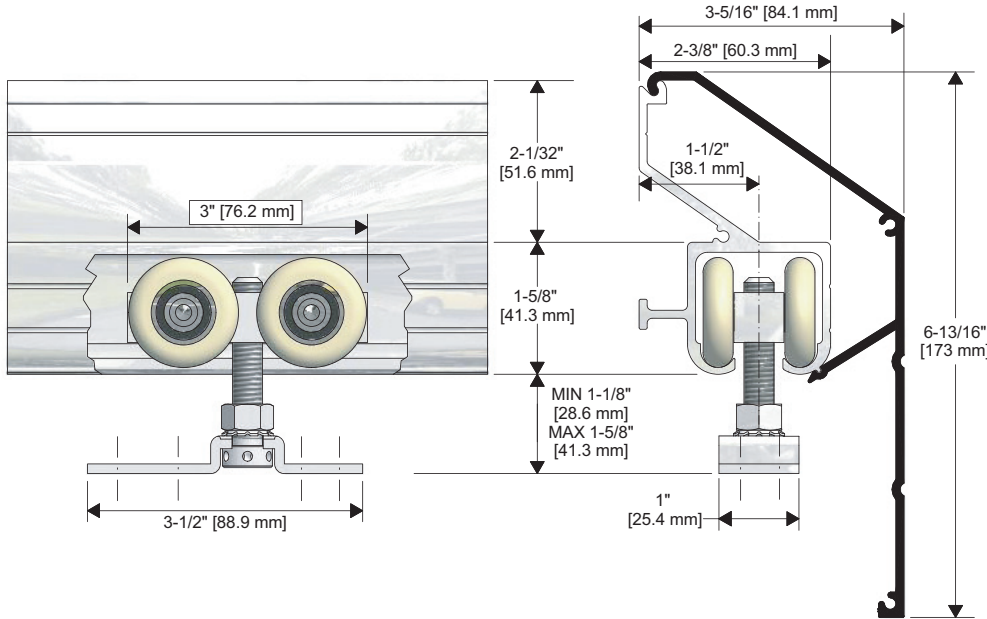


C-993-108

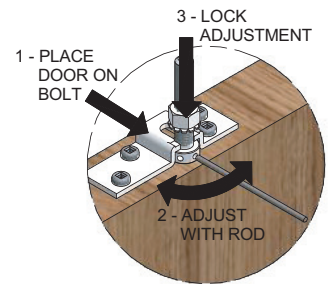


KEY FEATURES:

- Top mount easy connect hanger (**C-993**)
- Heavy-duty Steel hanger with quick disconnect stud for Single or Bi-Parting Wall Mounted doors.
- Four Precision Ground Ball Bearing, Nylon Tire Wheels.
- Reduces installation time with easy connecting stud.
- Use with Extruded Aluminum **C-108** Side Mount Track, 6063T5 Alloy
- Optional Extruded Aluminum **C-110** Snap-on Fascia used to cover hardware (Kit No. **C-993-110**)
- Load Capacity **250lbs. (two hangers)**



Shown with
Optional
C-110 Fascia.



Part Number:	Part Description:		
Customer Name:	Job Number/Name:	Date:	Provided By:
Notes:			