

CROWDERFRAME POCKET DOOR KIT

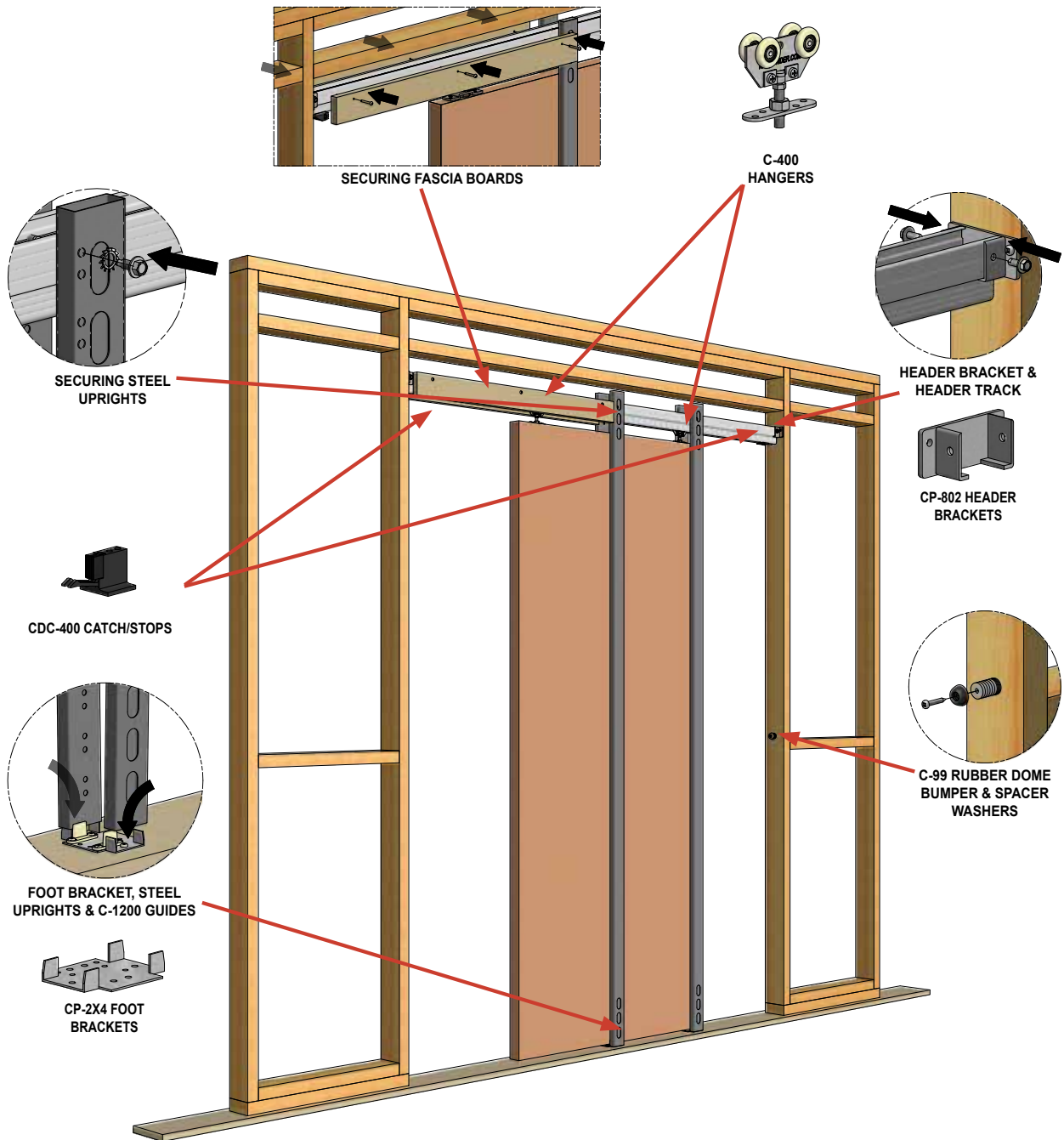
INTRODUCING TYPE B SERIES CROWDERFRAME POCKET DOOR KIT

Crowderframe Pocket Door Kits are the answer where space is limited or where the swinging of a hinged door is undesirable or inconvenient. Enjoy the benefits of hiding the door in a wall for a clean and spacious look! It can be installed in single door or double bi-parting door applications.

Key Product Features:

- Complete with roll formed steel uprights for less deflection and easy to screw into for drywall fastening
- Provides easier and quicker installation than a traditional pocket built on site
- For Standard 2X4 Wall Construction

HOW IT ALL COMES TOGETHER (TYPE B Crowderframe Pocket Door Kit Shown)



CROWDERFRAME POCKET DOOR KIT



TYPE B C-400 Hanger

Key Product Features:

- Complete with roll formed steel uprights for less deflection and easy to screw into for drywall fastening
- Provides easier and quicker installation than a traditional pocket built on site
- For Standard 2X4 Wall Construction
- Nylon Wheels with Precision Ground Ball Bearings
- Quick Release hanger makes installation of door easy
- **C-400** Hanger Load Capacity **125 lbs. (two Hangers)**
- **CP-800** Extruded Aluminum Header Track, 6061-T5 Alloy



1 3/4 in
[44.5 mm]
OR
1 3/8 in
[34.9 mm]



Up to
125 lbs.
per door



HOW TO SPECIFY/ORDER TYPE B FOR ONE DOOR OPENING

KIT CODE:

TYPE B

CROWDERFRAME POCKET DOOR KIT

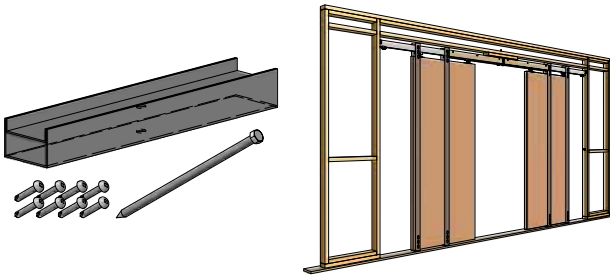
Suitable for one door from: 18 in [457 mm] to 36 in [914 mm] wide x 80 in [2032 mm] to 84 in [2134 mm]

For other door sizes or custom applications, please contact customer service.

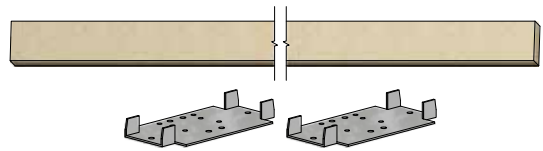
(All Crowderframe Pocket Door Kits above are complete with all hardware for one complete opening. Wood framing and door are by others. For locks and pulls please visit our website for more details)

HOW TO SPECIFY/ORDER ADD-ON PRODUCTS FOR ABOVE KITS

- For **Double Bi-Parting Door** applications, please review and specify **CPD-JOINER** kit as an add-on in addition to two (2) single Crowderframe Pocket Door Kits as shown above based on door sizes.



- For **2X6 Wall Construction** applications, please review and specify **CP-2X6 SHIM** kit as an add-on in addition to each single Crowderframe Pocket Door Kits as shown above based on door sizes. (Two (2) shim kits are required for double bi-parting door applications using the CPD-JOINER Kit)



CROWDERFRAME
POCKET DOOR KITS

A PRODUCT OF K.N. CROWDER MFG. INC.

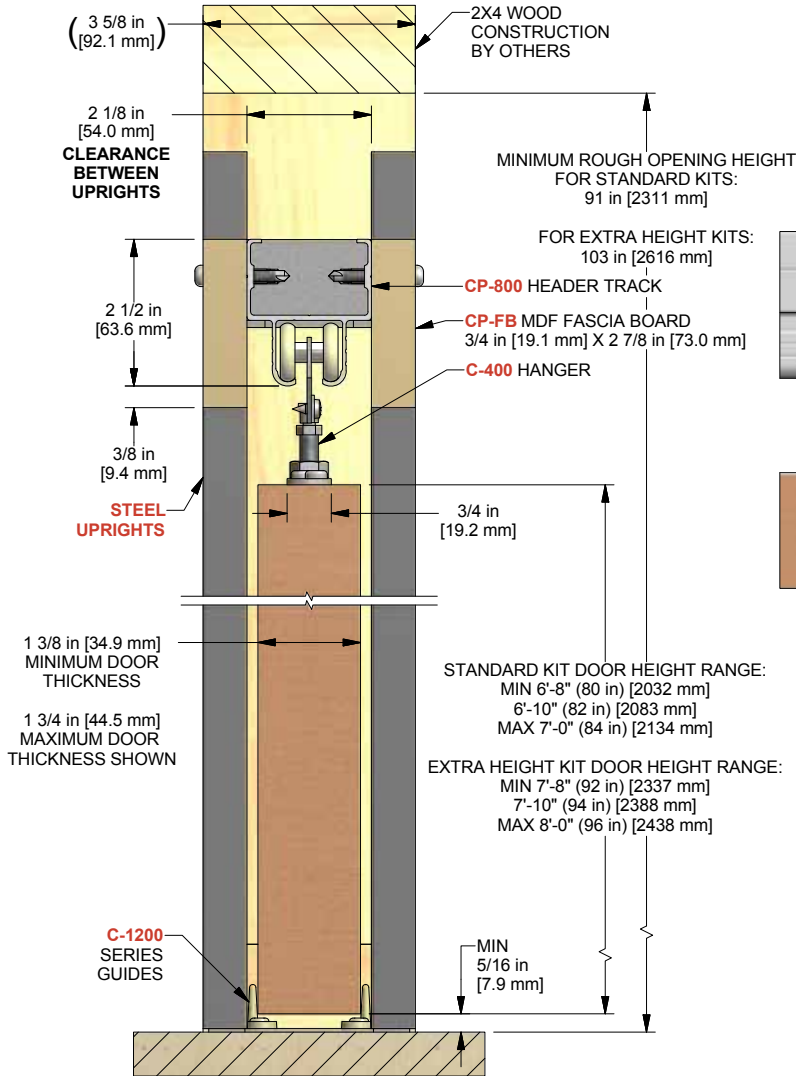
TOLL-FREE PHONE: 1-866-999-1KNC (1562) • WEBSITE: www.kncrowder.com • EMAIL: customerservice@kncrowder.com

© 2016 K.N. CROWDER MFG. INC. All Rights Reserved.

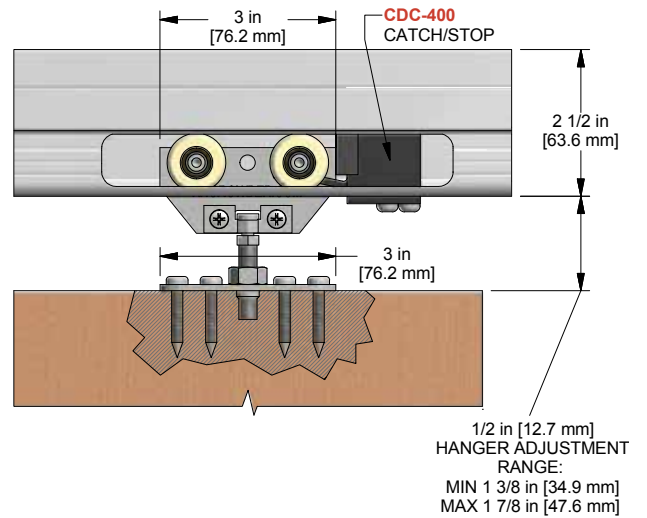
CROWDERFRAME POCKET DOOR KIT

TYPE B CROWDERFRAME POCKET DOOR KIT DIMENSION DETAILS (WITH C-1200 SERIES GUIDE SYSTEM)

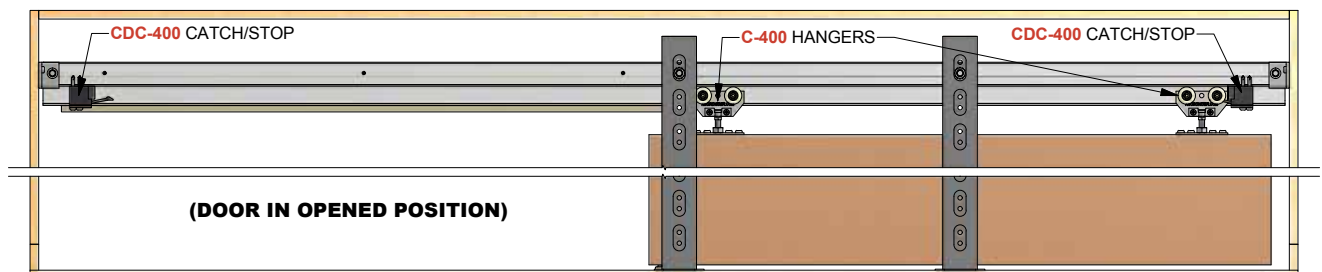
SECTION VIEW



SIDE VIEW



ELEVATION VIEW OF COMPLETE INSTALLATION (FOR DOORS 18 in [457 mm] TO 48 in [1219 mm] WIDE)



A PRODUCT OF K.N. CROWDER MFG. INC.

TOLL-FREE PHONE: 1-866-999-1KNC (1562) • WEBSITE: www.kncrowder.com • EMAIL: customerservice@kncrowder.com

© 2016 K.N. CROWDER MFG. INC. All Rights Reserved.