

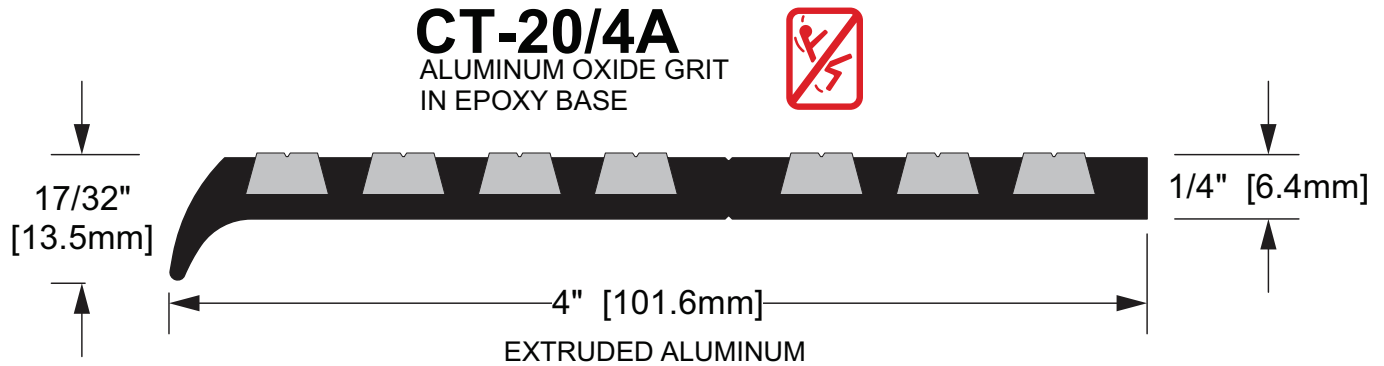


Canada
 K.N. CROWDER MFG. INC.
 1220 Burloak Drive
 Burlington, Ontario
 L7L 6B3
 Telephone (905) 315-9788
 Toll Free Fax 1-800-567-0123
 customerservice@kncrowder.com

USA
 K.N. CROWDER INC.
 210 Eighth Street South
 Lewiston, New York
 14092
 Telephone (716) 754-8247
 Toll Free Fax 1-800-567-0123
 customerservice@kncrowder.com

CT-20/4A

Features	4" W. X 1/4" H.
Available In	Extruded aluminum & abrasive insert



Part No.	Part Description		
Customer Name	Job No./Name	Date	Provided By
Note			