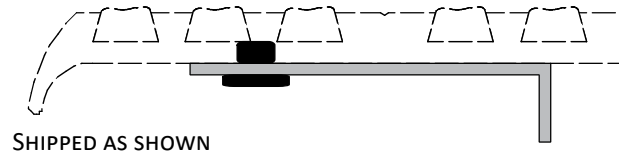
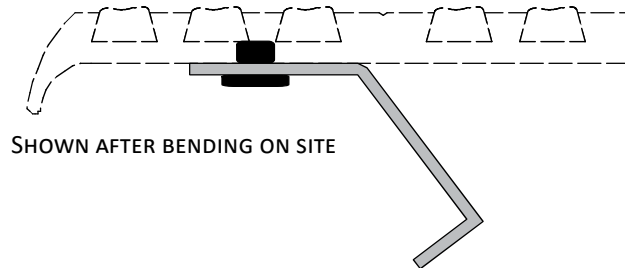




# CT-227






<b>Operation</b>	Hidden Strap Anchor for Stair Nosing
<b>Features</b>	<ul style="list-style-type: none"> <li>• For use with abrasive applications only</li> <li>• For use in concrete (pour in place installations)</li> <li>• No visible screws</li> <li>• Typical spacing is 12" [300mm] center to center</li> </ul>
<b>Application</b>	<ul style="list-style-type: none"> <li>• Ideal for Residential, Commercial &amp; Industrial</li> </ul>

**Part No.:** \_\_\_\_\_ **Part Description:** \_\_\_\_\_

**Customer Name:** \_\_\_\_\_ **Job No./Name:** \_\_\_\_\_ **Date:** \_\_\_\_\_ **Provided By:** \_\_\_\_\_

**Notes:** \_\_\_\_\_

## Screw Options

<b>STANDARD</b>	 <p>SCREW TYPE: <b>G</b>          3/16" X 1-3/4" HI-LO TAPPING          THREAD, GREY PHILLIPS DRIVE,          CONCRETE SCREWS          (5/32" PRE-DRILL REQUIRED)</p>
	 <p>SCREW TYPE: <b>H</b>          #10 X 1-3/4" STAINLESS STEEL          FLAT HEAD, ROBERTSON DRIVE,          TYPE A SCREWS          (COMPLETE WITH NYLON ANCHOR)</p>
<b>OPTIONAL</b>	 <p>SCREW TYPE: <b>I</b>          #10 X 2" STAINLESS STEEL FLAT          HEAD, TAMPER-RESISTANT TORX          DRIVE, TYPE A SCREWS          (COMPLETE WITH NYLON ANCHOR)</p>