

CROWDER GLASS HANGERS

FOR SINGLE, BI-PARTING, BY-PASSING, POCKET OR SURFACE MOUNTED DOORS

new

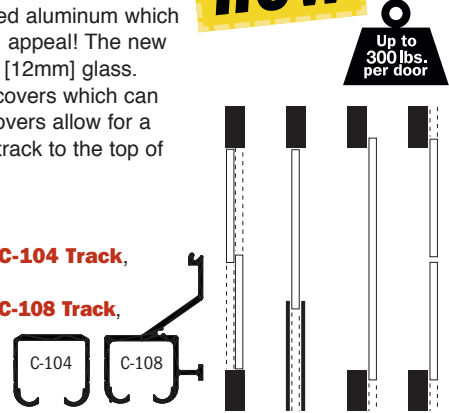
Architecture & Design Collection



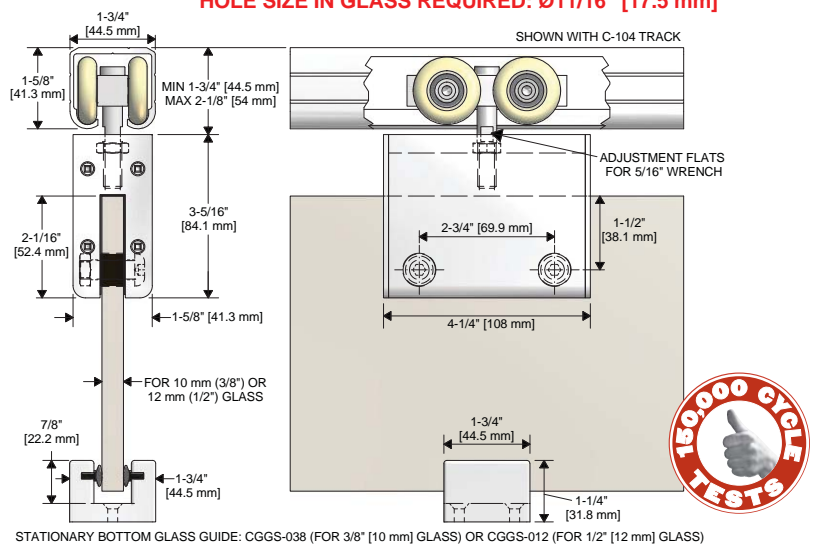
NEW CROWDER GLASS HANGERS

have been redesigned and created from extruded aluminum which allows for easy installation and enhanced visual appeal! The new CGH hangers are made for 3/8" [10mm] or 1/2" [12mm] glass. Hardware is concealed by our unique snap-on covers which can be supplied in different finishes. The snap-on covers allow for a minimum clearance between the bottom of the track to the top of the hanger to be 1/8" [3.2mm].

- **CGH-038 Hanger** for 3/8" [10mm] thick glass
- **CGH-012 Hanger** for 1/2" [12mm] thick glass
- Use with Extruded Aluminum Clear Anodized **C-104 Track**, 6063T5 Alloy
- Use with Extruded Aluminum Clear Anodized **C-108 Track**, 6063T5 Alloy
- Load Capacity **300lbs (two hangers)**



HOLE SIZE IN GLASS REQUIRED: Ø11/16" [17.5 mm]



NEW CGH HANGERS ARE AVAILABLE UP TO 96" [2438MM] WIDE FOR FULL PANEL WIDTH APPLICATIONS. SEE WEBSITE FOR MORE DETAILS.



OPTIONAL PRODUCTS

new



CGGS-038 (for 3/8" [10mm]) or **CGGS-012** (for 1/2" [12mm]) bottom glass stationary guide



C-100HD Door Stop assists with door positioning



CGG-038 (for 3/8" [10mm]) or **CGG-012** (for 1/2" [12mm]) bottom glass guide. To be used with C-201 guide channel recessed in floor



CGP-038 (for 3/8" [10mm]) or **CGP-012** (for 1/2" [12mm]) glass door pulls. Stainless Steel Finish



CGGHD-038 (for 3/8" [10mm]) or **CGGHD-012** (for 1/2" [12mm]) bottom glass guide. To be used with C-914 guide channel recessed in floor

