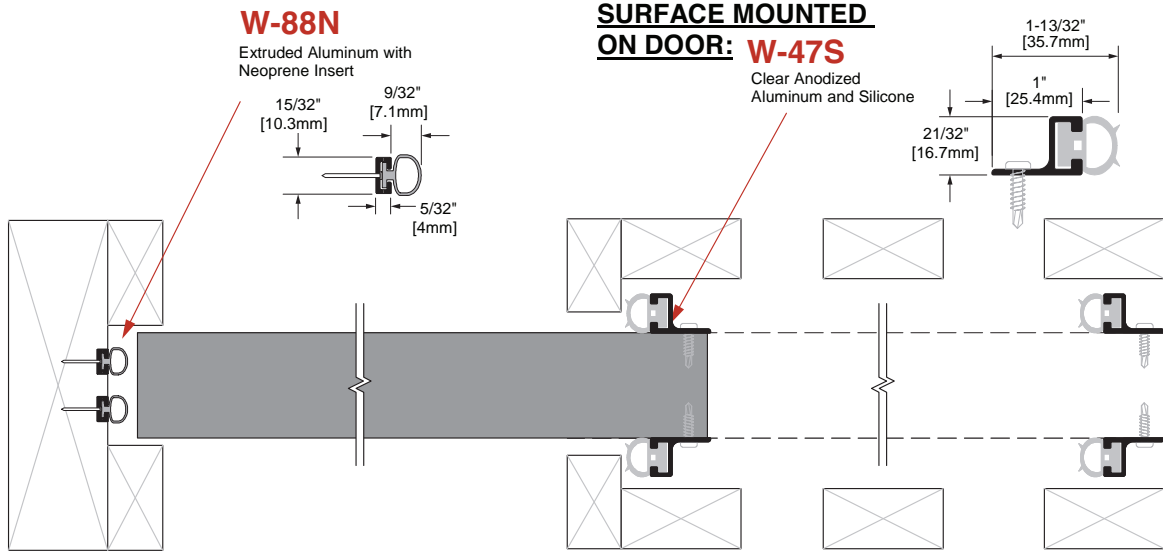


SOUND SEALING POCKET DOORS

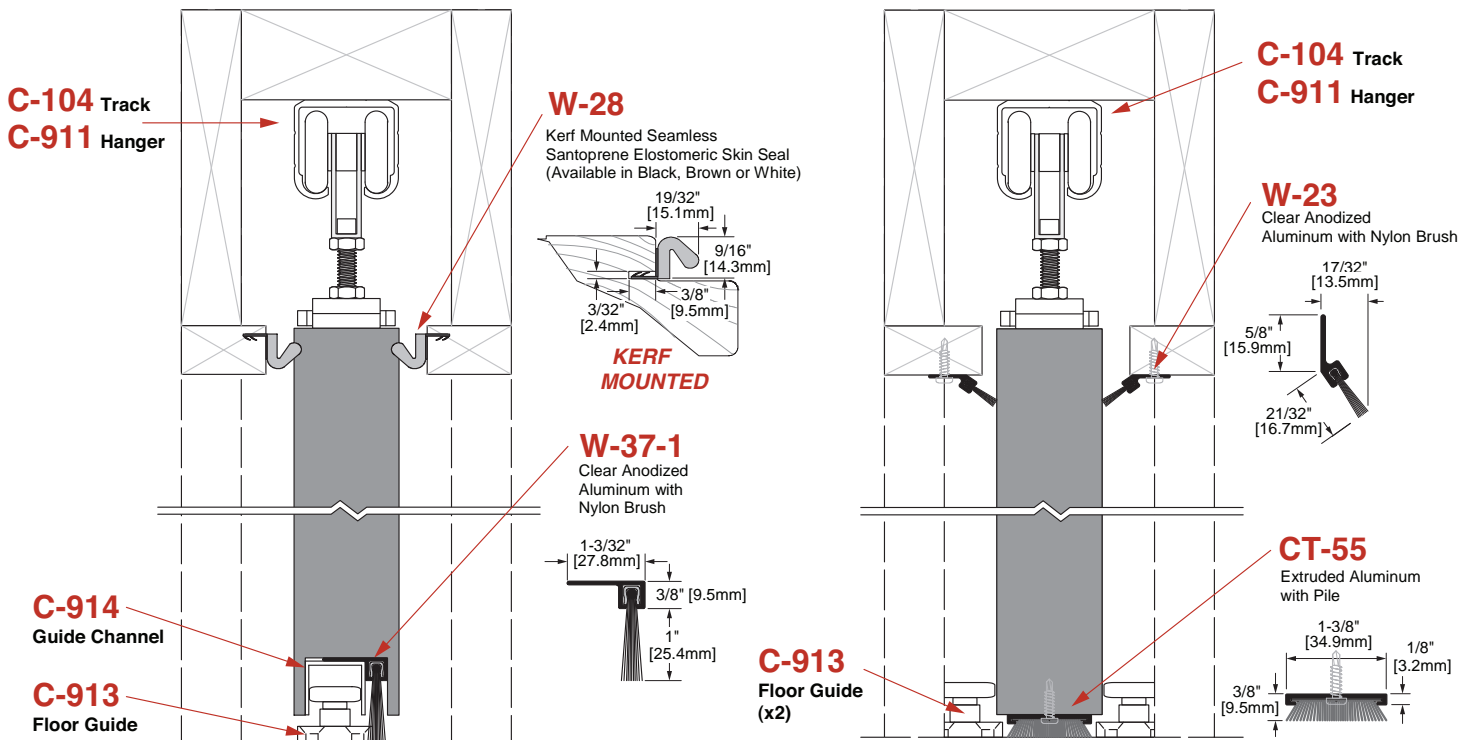
USING KNC WEATHERSTRIPPING PRODUCTS

new

WEATHERSTRIPPING OPTIONS SHOWN ON BIRDS EYE VIEWS



WEATHERSTRIPPING OPTIONS SHOWN IN CROSS SECTION VIEWS



FOR MORE INFORMATION ON KNC WEATHERSTRIPPING PRODUCTS PLEASE VISIT:
www.kncrowder.com/wstripping

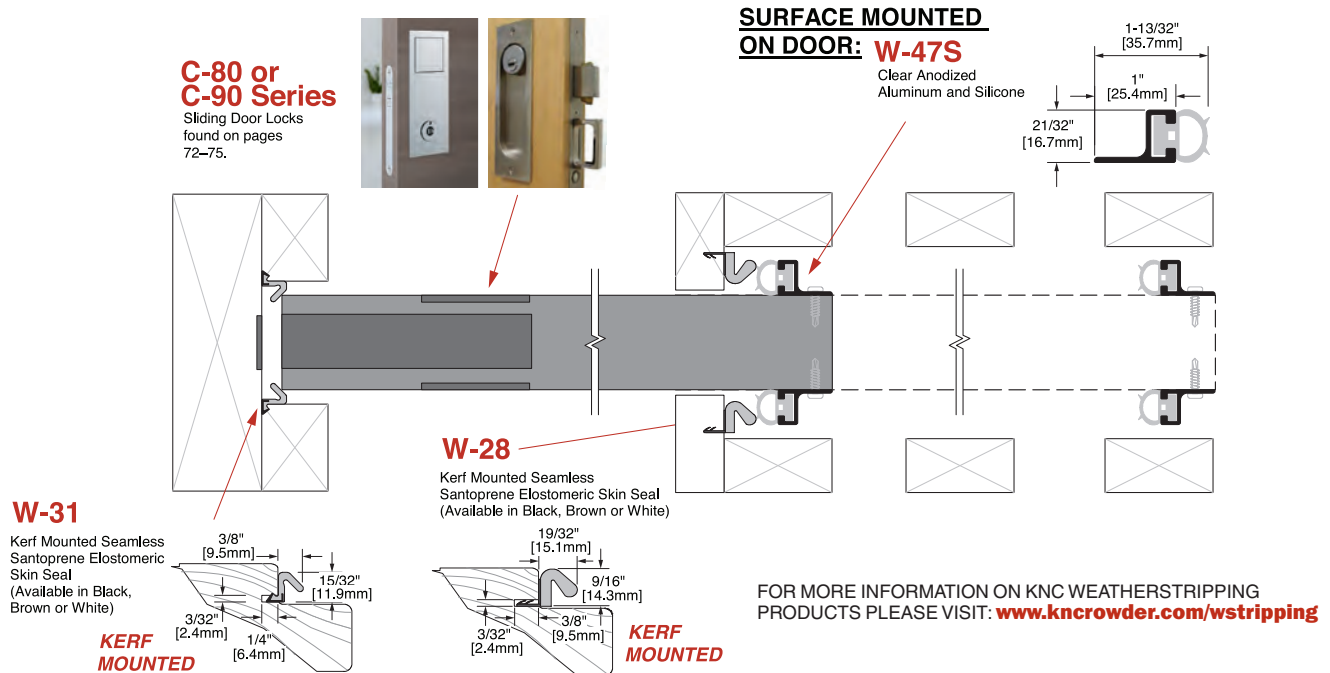
NOTE: POCKET FRAMING, HEADER, AND TRIM WORK BY OTHERS.

LOCKING & LATCHING SOUND SEALING POCKET DOORS

USING KNC WEATHERSTRIPPING PRODUCTS

new

WEATHERSTRIPPING OPTIONS SHOWN ON BIRDS EYE VIEWS



Custom Systems

WEATHERSTRIPPING & AUTOMATIC DOOR BOTTOM OPTIONS SHOWN IN CROSS SECTION VIEWS

USING KNC'S AUTOMATIC DOOR BOTTOMS ON SLIDING DOORS

In order to use KNC's Automatic Door Bottom, a sliding door lock must be installed to pull and hold the door shut which in turn will activate the ADB's plunger (see above for details). Two **C-913** Floor Guides will be required (one on each side of the door). For more information on Automatic Door bottoms please visit www.kncrowder.com/autodoor

NOTE: POCKET FRAMING, HEADER, AND TRIM WORK BY OTHERS.

