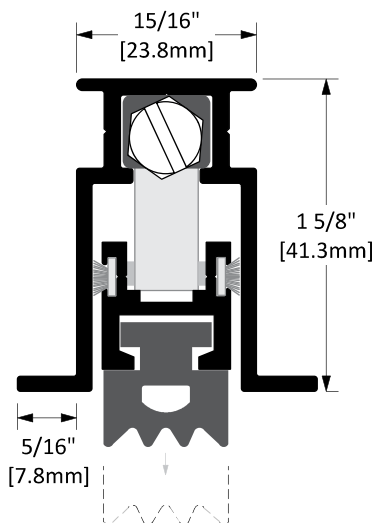


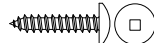
CT-53




Operation	Automatic Door Bottom
Features	<ul style="list-style-type: none"> • Mill Finish Extruded Aluminum with Neoprene • Maximum effective drop: 11/16" (17.5mm)
Application	<ul style="list-style-type: none"> • Ideal for Residential, Commercial & Industrial

Customer Name: _____ Job No./Name: _____ Date: _____ Provided By: _____

Notes:

- Finish Options**
- OPTSTD** Mill Finish
 - Black Anodized
- Screw Options**
- Standard**


Screw Type: **N**
#6 X 3/4" Stainless Steel Truss Head, Robertson Drive, Type A Screws
 - Optional**


Screw Type: **O**
#6 X 3/4" Stainless Steel Button Head, Tamper-Resistant Torx Drive, Type A Screws