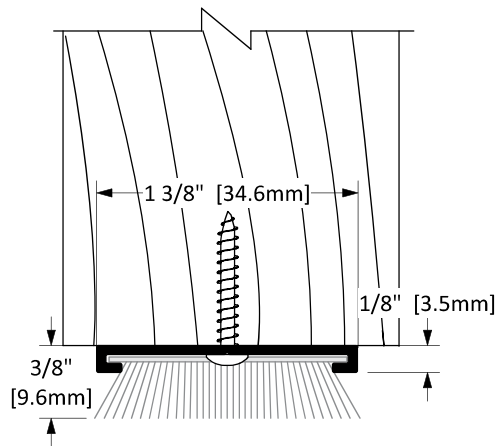


CT-55



STD Finish Options
Mill Finish

Standard Screw Options
Screw Type: **N**
#6 X 3/4" Stainless Steel Truss Head,
Robertson Drive, Type A Screws

Optional Screw Options
Screw Type: **O**
#6 X 3/4" Stainless Steel Button
Head, Tamper-Resistant Torx
Drive, Type A Screws

Operation	Door Shoe
Features	<ul style="list-style-type: none"> • Mill Finish Extruded Aluminum with Pile
Application	<ul style="list-style-type: none"> • Ideal for Residential, Commercial & Industrial

Customer Name: _____ Job No./Name: _____ Date: _____

Provided By: _____

Notes: