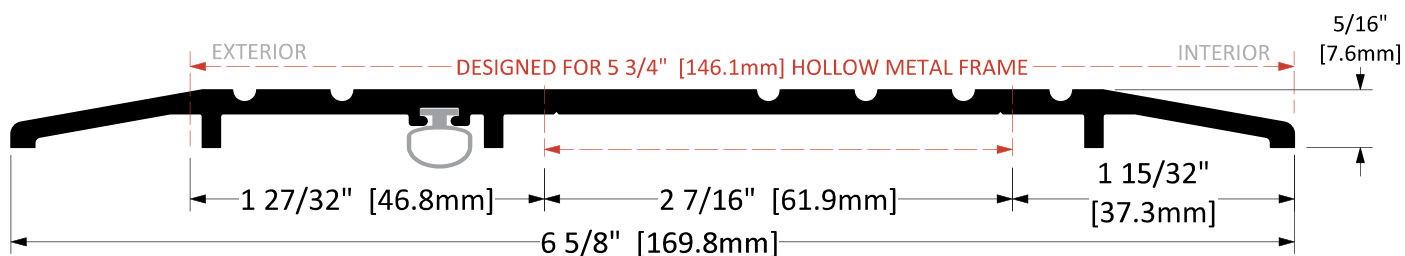


CT-658LP


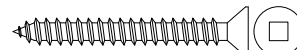
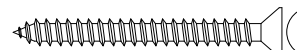
NEW



Finish Options

- STD** Mill Finish
- OPT** Bronze Anodized
- OPT** Black Anodized

Screw Options

- Standard**
 -  Screw Type: **G**
3/16" X 1-3/4" Hi-Lo Tapping Thread, Grey Phillips Drive, Concrete Screws (5/32" Pre-Drill Required)
- Optional**
 -  Screw Type: **H**
#10 X 1-3/4" Stainless Steel Flat Head, Robertson Drive, Type A Screws (Complete With Nylon Anchor)
 -  Screw Type: **I**
#10 X 2" Stainless Steel Flat Head, Tamper-Resistant Torx Drive, Type A Screws (Complete With Nylon Anchor)

Operation	Automatic Door Bottom Threshold
Features	Mill Finish Extruded Aluminum
Application	Ideal for Residential, Commercial & Industrial Ideal for use with openings with Automatic Door Bottoms on flat surface of threshold Ideal for use with 5-3/4" Hollow Metal Frames

Customer Name: _____ Job No./Name: _____ Date: _____ Provided By: _____

Notes: