

# CROWDER STRIKE



## FEATURES

- Created to be paired with C-911-110 series for doors up to 200 lbs. [91 kg]
- Continuous full height strike kit provides a clean look using aluminum snap-on covers
- Ideal for medical, office and hospitality applications
- Available in clear or black anodized, mill finish or powder coated

Each kit includes: continuous wall strike base x length based on kit size, wall strike cover plate x length based on kit size c/w necessary fasteners. Clear anodized finish.

**Note: Strike prep is not included. Available as a separate custom upcharge.**

### Handing

- Left hand
- Right hand



Handing Chart

### Door Thickness

- 1-3/4 in [44.5 mm]
- 1-3/8 in [34.9 mm]

### Door Height

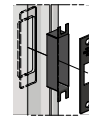
- 2150 mm high [84 in or 84.625 in]
- 96 in [2438 mm]
- 120 in [3048 mm]

## OPTIONAL

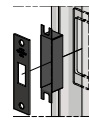
### Door Locks and Pulls



### Strike Plate and Dust Proof Box Prep



Left



Right



Customer Name

Job No./Name

Date

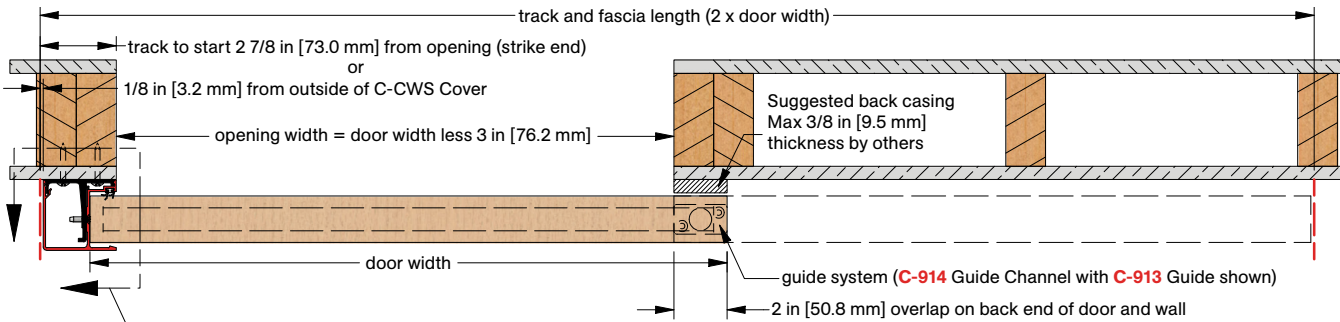
Provided By

Notes

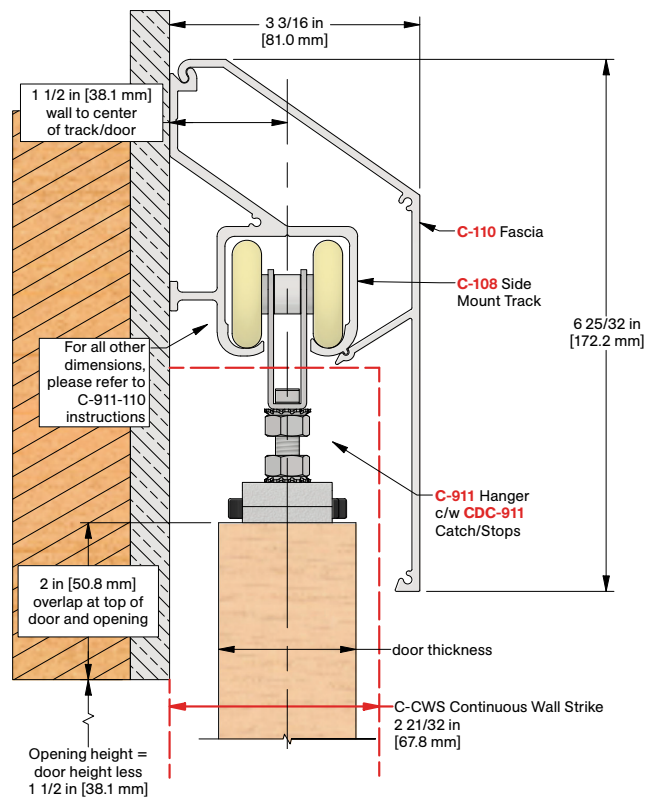
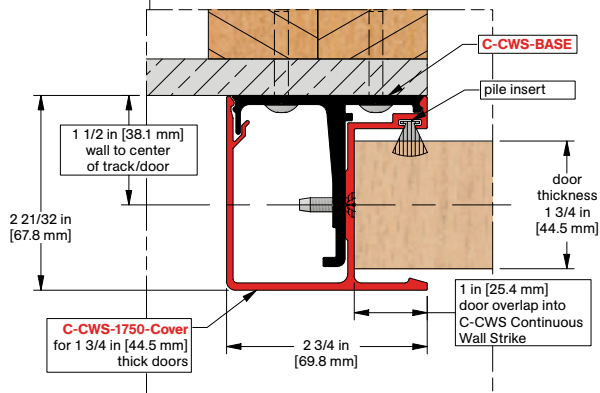
# CROWDER STRIKE



## COMPLETE PLAN VIEW



## SECTION VIEW - C-911-110



Installation Instructions



Customer Name

Job No./Name

Date

Provided By

Notes