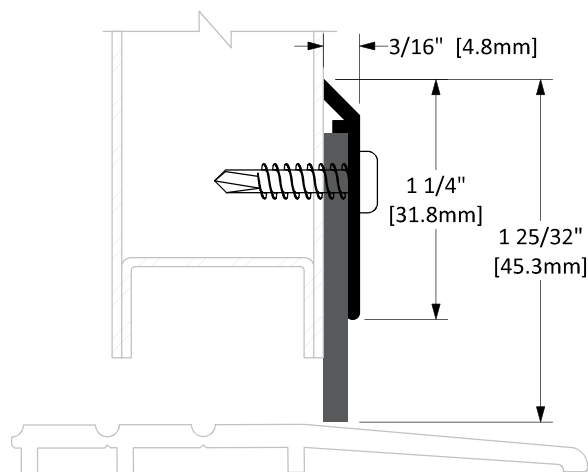


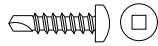
W-13S




Finish Options

- STD** Clear Anodized
- OPT** Bronze Anodized
- OPT** Black Anodized

Screw Options

- Standard**


Screw Type: **A**
#8 X 3/4" Stainless Steel Pan Head, Robertson Drive, Tek Screws
- Optional**


Screw Type: **B**
#8 X 3/4" Stainless Steel Pan Head, Tamper-Resistant Torx Drive, Tek Screws

Operation	Door Sweep
Features	• Clear Anodized Extruded Aluminum with Black Solid Neoprene
Application	• Ideal for Residential, Commercial & Industrial

Customer Name: _____ Job No./Name: _____ Date: _____ Provided By: _____

Notes: