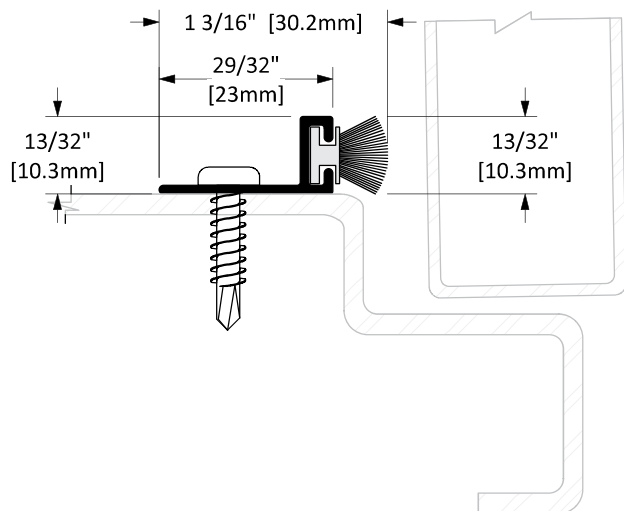


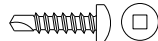
# W-16P

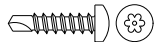


## Finish Options

- STD** Clear Anodized
- OPT** Bronze Anodized
- OPT** Black Anodized

## Screw Options

- Standard**


Screw Type: **A**  
#8 X 3/4" Stainless Steel Pan Head, Robertson Drive, Tek Screws
- Optional**


Screw Type: **B**  
#8 X 3/4" Stainless Steel Pan Head, Tamper-Resistant Torx Drive, Tek Screws

<b>Operation</b>	Weatherstrip
<b>Features</b>	<ul style="list-style-type: none"> <li>• Clear Anodized Extruded Aluminum with Pile</li> </ul>
<b>Application</b>	<ul style="list-style-type: none"> <li>• Ideal for Residential, Commercial &amp; Industrial</li> </ul>

Customer Name:

Job No./Name:

Date:

Provided By:

Notes: