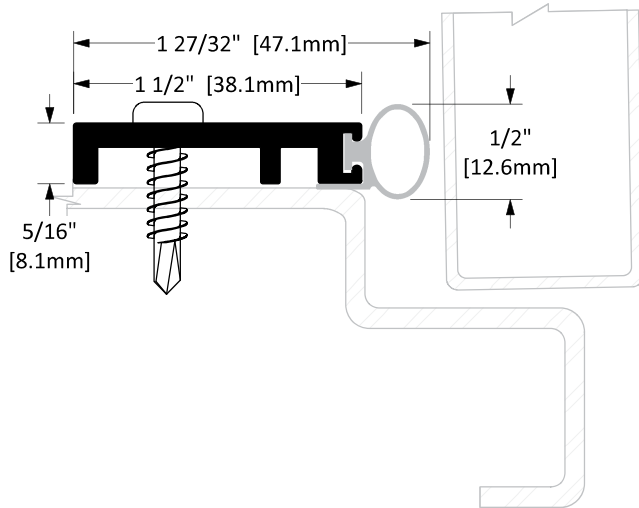


# W-2050S

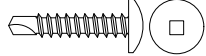
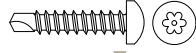
NEW



## Finish Options

- STD** Clear Anodized
- OPT** Bronze Anodized
- OPT** Black Anodized

## Screw Options

- Standard**
- 
- Screw Type: **E**  
#10 X 1" Stainless Steel Truss Head, Robertson Drive, Tek Screws
- Optional**
- 
- Screw Type: **F**  
#10 X 1" Stainless Steel Pan Head, Tamper-Resistant Torx Drive, Tek Screws

|                    |  |
|--------------------|--|
| <b>Operation</b>   | Weatherstrip                                     |
| <b>Features</b>    | • Clear Anodized Extruded Aluminum with Silicone |
| <b>Application</b> | • Ideal for Residential, Commercial & Industrial |

**Customer Name:** \_\_\_\_\_ **Job No./Name:** \_\_\_\_\_ **Date:** \_\_\_\_\_ **Provided By:** \_\_\_\_\_

Notes: