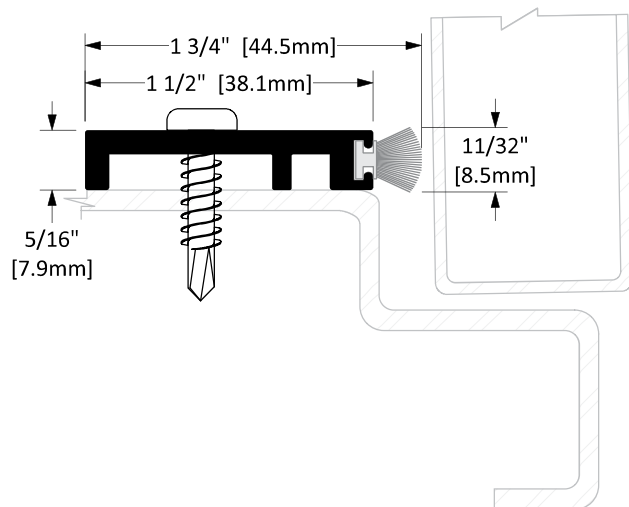


W-20P



Finish Options

- STD** Clear Anodized
- OPT** Bronze Anodized
- OPT** Black Anodized

Screw Options

- Standard**

Screw Type: **E**
#10 X 1" Stainless Steel Truss Head, Robertson Drive, Tek Screws
- Optional**

Screw Type: **F**
#10 X 1" Stainless Steel Pan Head, Tamper-Resistant Torx Drive, Tek Screws

Operation	Weatherstrip
Features	<ul style="list-style-type: none"> • Clear Anodized Extruded Aluminum with Pile
Application	<ul style="list-style-type: none"> • Ideal for Residential, Commercial & Industrial

Customer Name: _____ Job No./Name: _____ Date: _____ Provided By: _____

Notes: