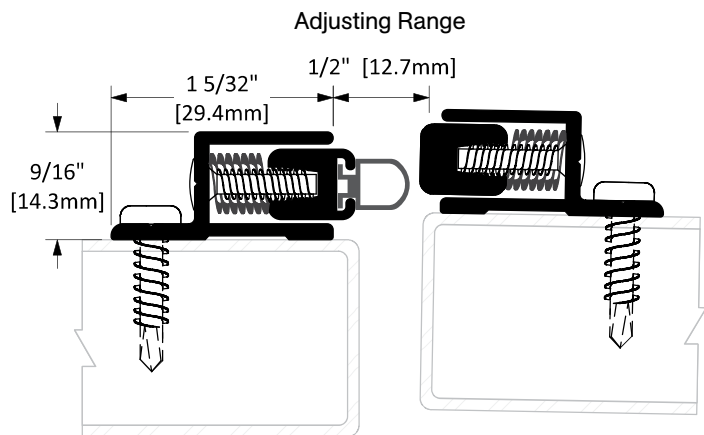


W-40N



STD Finish Options
Clear Anodized

Standard Screw Options
Screw Type: **A**
#8 X 3/4" Stainless Steel Pan Head,
Robertson Drive, Tek Screws

Optional Screw Type: **B**
#8 X 3/4" Stainless Steel Pan Head,
Tamper-Resistant Torx Drive, Tek Screws

Operation	Adjustable Astragal
Features	<ul style="list-style-type: none"> Clear Anodized Extruded Aluminum with Neoprene on one side only
Application	<ul style="list-style-type: none"> Ideal for Residential, Commercial & Industrial

Customer Name:

Job No./Name:

Date:

Provided By:

Notes: