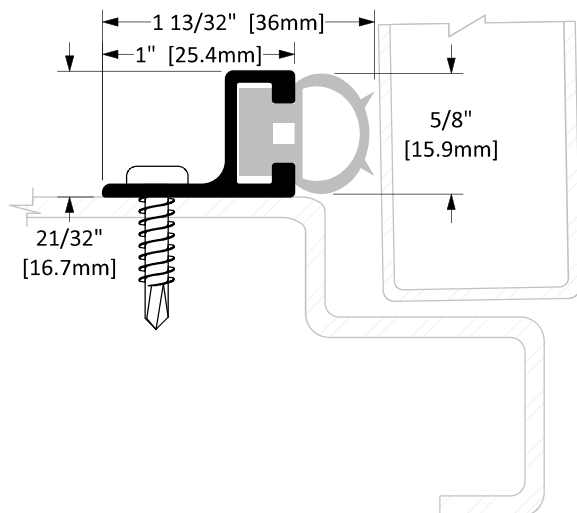


W-47S



STD Finish Options
Clear Anodized

Standard Screw Options
Screw Type: **A**
#8 X 3/4" Stainless Steel Pan Head, Robertson Drive, Tek Screws

Optional Screw Type: **B**
#8 X 3/4" Stainless Steel Pan Head, Tamper-Resistant Torx Drive, Tek Screws

Operation	Weatherstrip
Features	<ul style="list-style-type: none"> Clear Anodized Extruded Aluminum with Silicone
Application	<ul style="list-style-type: none"> Ideal for Residential, Commercial & Industrial

Customer Name: _____ Job No./Name: _____ Date: _____ Provided By: _____

Notes: