



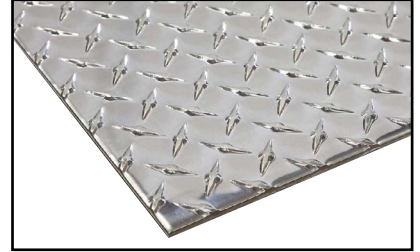
K.N. CROWDER MFG. INC.
 1220 BURLOAK DRIVE
 BURLINGTON, ONTARIO
 L7L 6B3 CANADA

K.N. CROWDER. INC.
 210 EIGHTH STREET SOUTH
 LEWISTON, NEW YORK
 14092 U.S.A.

TOLL-FREE PHONE: 1-866-999-1KNC (1562)
 WEBSITE: kncrowder.com
 EMAIL: customerservice@kncrowder.com
 © 2021 K.N. CROWDER MFG. INC. All Rights Reserved.

ALUMINUM DIAMOND CHECKER PLATE APPLICATION FORM

JOB NAME: _____
 COMPANY: _____
 ADDRESS: _____
 CONTACT NAME: _____
 PHONE: _____ FAX: _____
 EMAIL: _____



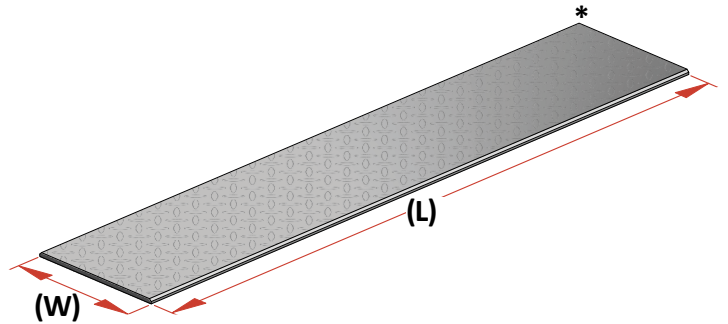
APPLICATIONS:

FLAT

1. THICKNESS:
 1/8 in [3.2 mm]
 3/16 in [4.8 mm]
 1/4 in [6.4 mm]

2. QUANTITY: _____

3. SIZE: INCHES MILLIMETERS
 W = _____
 L = _____



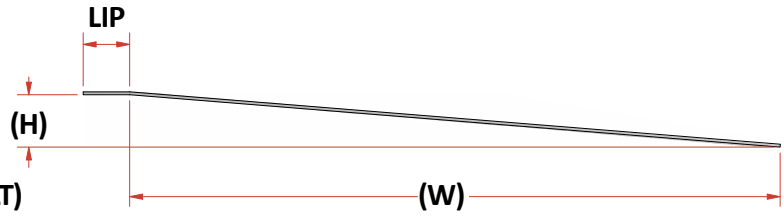
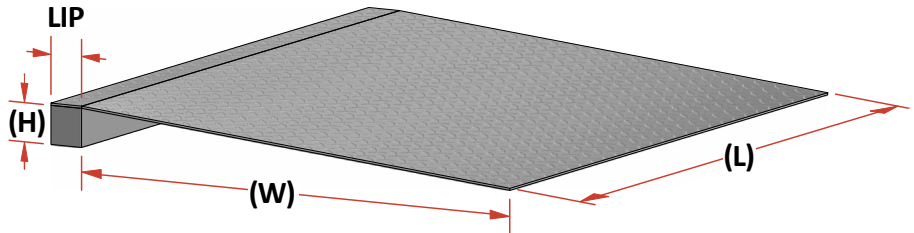
*LENGTH EDGES ARE SUPPLIED BEVELED

RAMP

1. THICKNESS:
 1/8 in [3.2 mm]
 3/16 in [4.8 mm]
 1/4 in [6.4 mm]

2. QUANTITY: _____

3. SIZE: INCHES MILLIMETERS
 H = _____
 W = _____
 L = _____
 LIP = _____ (2 in [50.8 mm] DEFAULT)



CUSTOM

IF APPLICATION IS NOT SHOWN, PLEASE PROVIDE A DETAILED DRAWING.

OTHER NOTES/INQUIRIES: