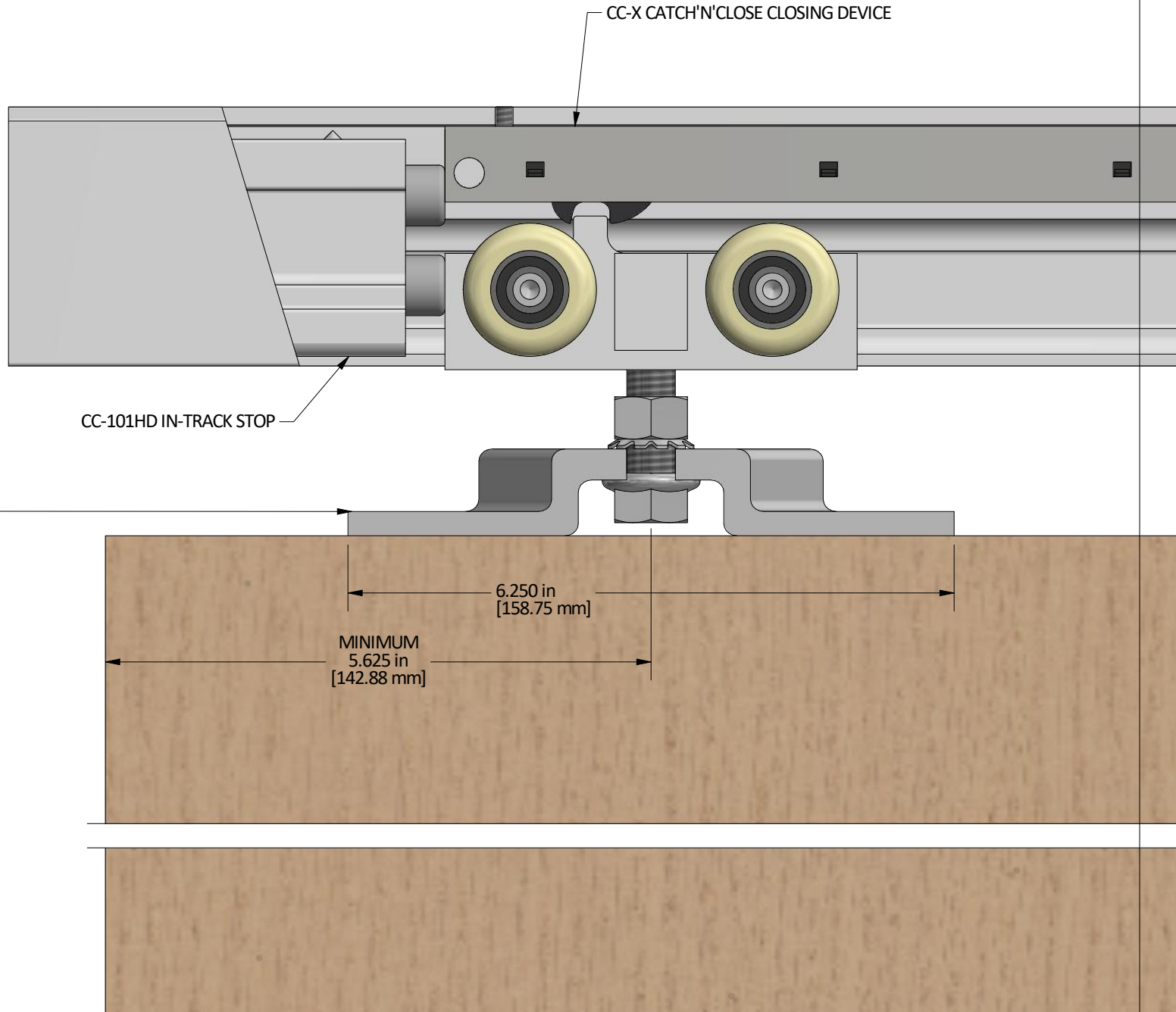
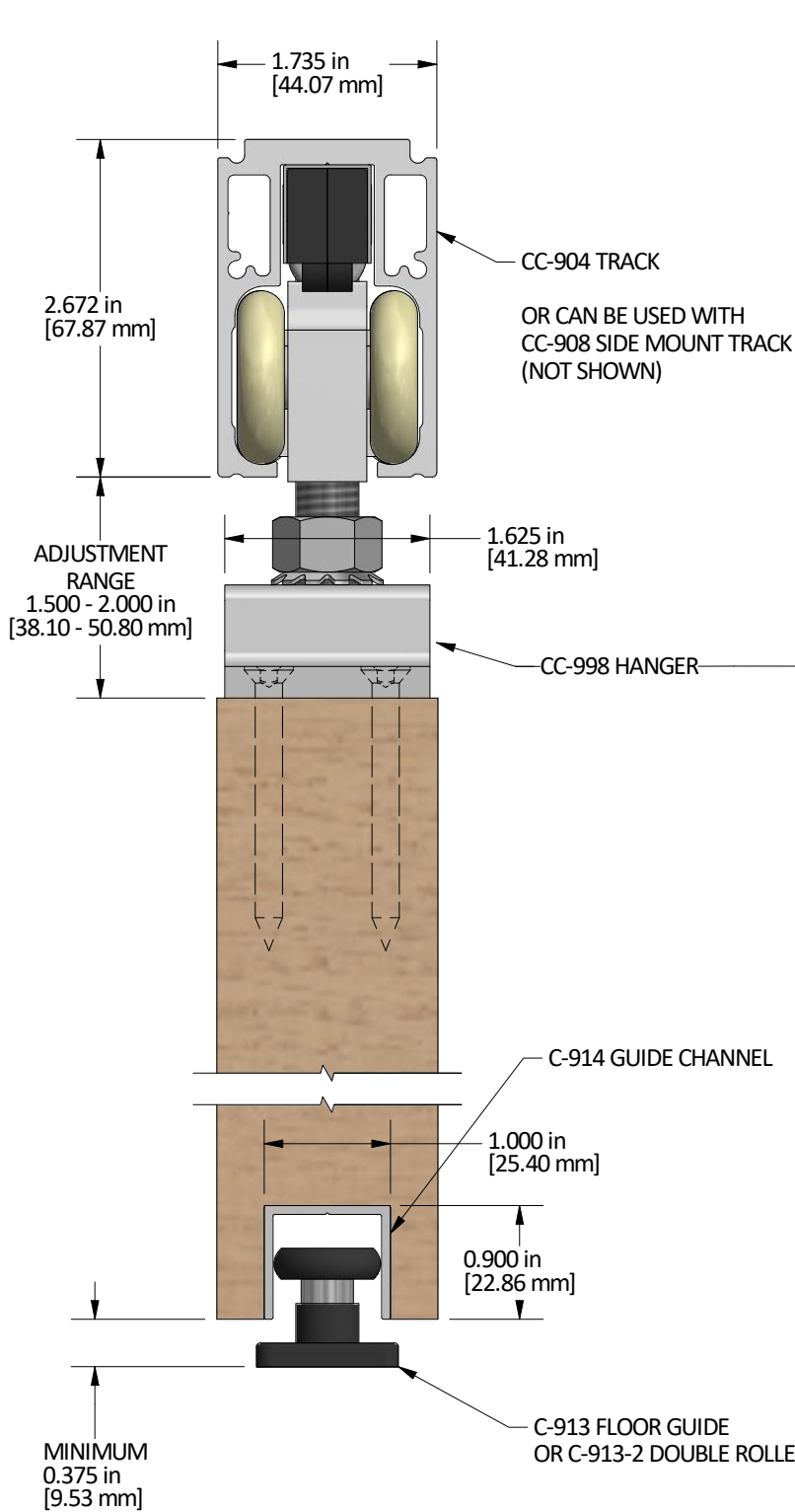
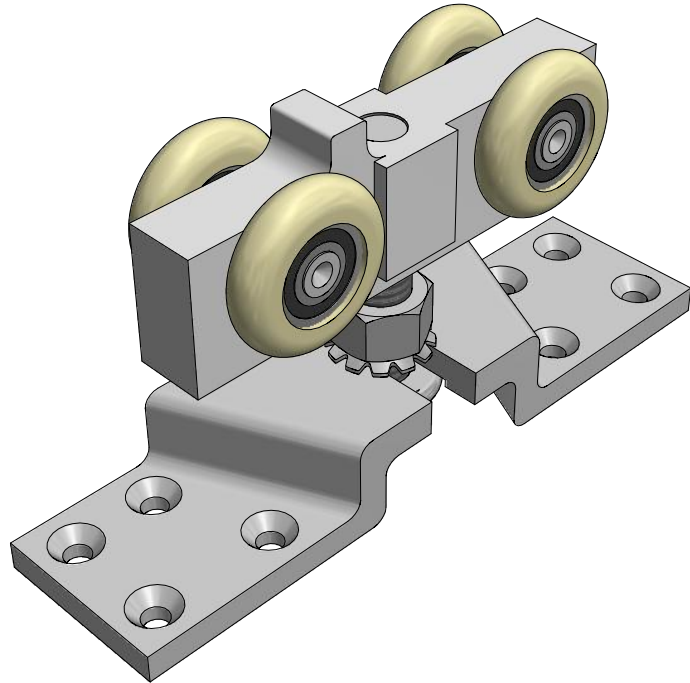
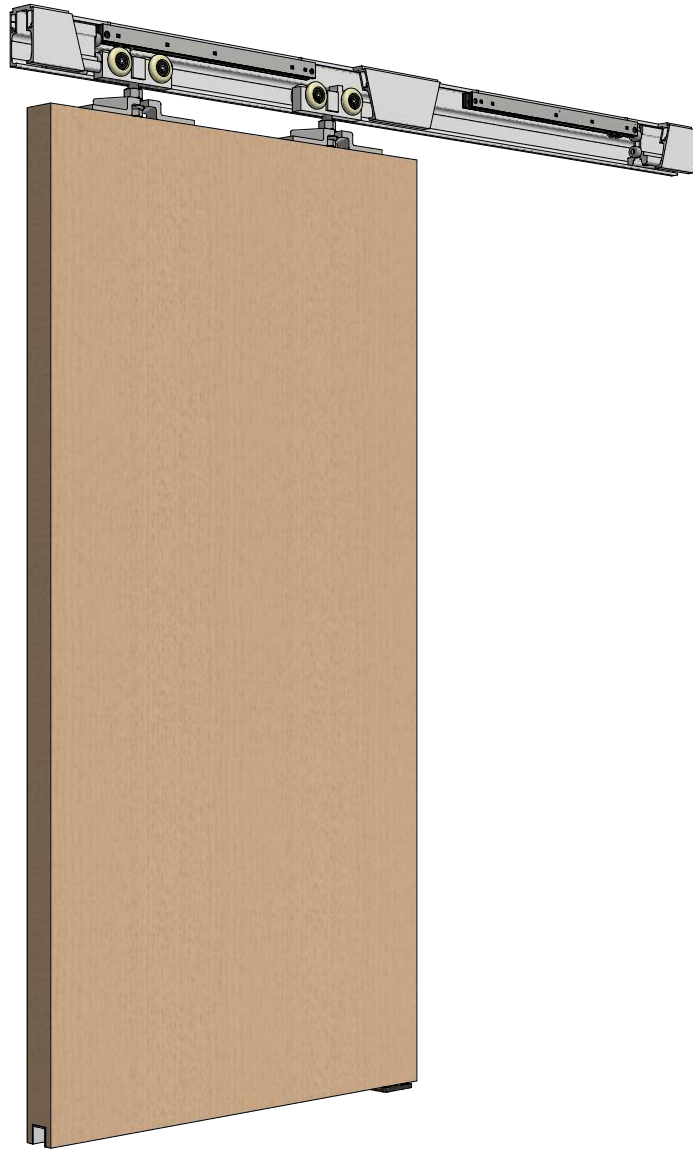


CC-998 SERIES - UP TO 300LBS CAPACITY



PRODUCT: CC-998 SERIES PRODUCT DETAILS

CUSTOMER:

PROJECT:

DRAWN BY: G.PARON

DATE: MAY 2020

SCALE: NA

DWG N°:



1220 BURLOAK DRIVE
BURLINGTON, ONTARIO, L7L 6B3
TOLL FREE PHONE:
1-866-999-1KNC (1562)
TOLL FREE FAX:
1-800-567-0123
www.kncrowder.com

THIS DRAWING IS THE PROPERTY OF K.N. CROWDER MFG. INC. AND IS SUBJECT TO RETURN UPON DEMAND. IT MUST NOT BE TRACED, COPIED, OR REPRODUCED IN ANY MANNER, NOR SUBMITTED TO ANY OUTSIDE PARTIES FOR EXAMINATION WITHOUT OUR CONSENT.