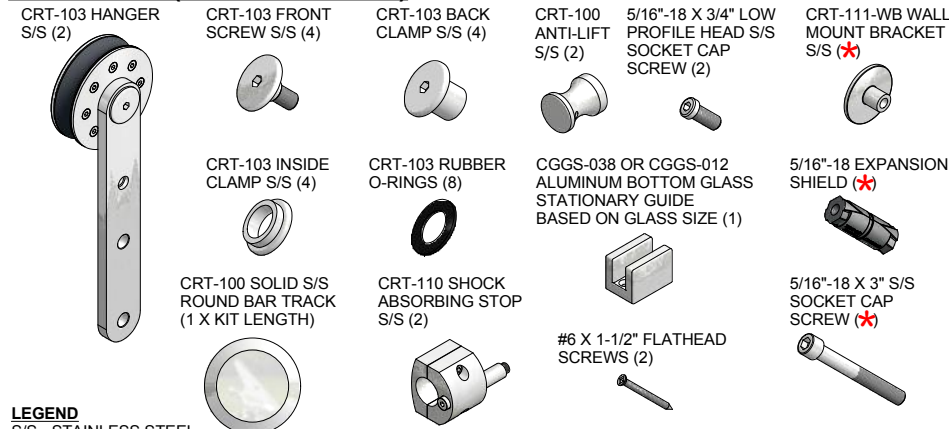


# CRT-103 FACE MOUNT GLASS HANGER SLIDING DOOR KIT

INSTRUCTION SHEET FOR 3/8" [10mm] OR 1/2" [12mm] GLASS DOORS



## PARTS LIST (FOR 1 DOOR KIT)



### LEGEND

- S/S - STAINLESS STEEL  
 \* - QUANTITY IS BASED ON KIT SIZE  
 -72" KIT INCLUDES 5 SETS (SPACING: 8"[203.2] -14"[355.6] X 4 -8"[203.2])  
 -84" KIT INCLUDES 6 SETS (SPACING: 7"[177.8] -14"[355.6] X 5 -7"[177.8])  
 -96" KIT INCLUDES 6 SETS (SPACING: 8"[203.2] -16"[406.4] X 5 -8"[203.2])  
 -108" KIT INCLUDES 7 SETS (SPACING: 6"[152.4] -16"[406.4] X 6 -6"[152.4])  
 -120" KIT INCLUDES 8 SETS (SPACING: 7.5"[190.5] -15"[381] X 7 -7.5"[190.5])  
 -144" KIT INCLUDES 9 SETS (SPACING: 8"[203.2] -16"[406.4] X 8 -8"[203.2])

- ### SPECIFICATIONS:
- LOAD CAPACITY: 350 LBS PER DOOR.
  - FOR SURFACE MOUNT/BARN STYLE APPLICATIONS.
  - HEAVY-DUTY PRECISION BALL BEARING WITH DELRIN WHEEL. (1 PER HANGER)
  - NO HEIGHT ADJUSTMENT AVAILABLE ON HANGER

## INSTALLATION INSTRUCTIONS

### STEP 1

DETERMINE OPENING SIZE, DOOR SIZE & WALL HEIGHT BASED ON DIMENSIONS SHOWN IN DETAIL VIEWS AND CLEARANCE REQUIRED BELOW DOOR. TRACK SHOULD BE AT LEAST TWO TIMES DOOR WIDTH. EXAMPLE: 36" DOOR REQUIRES 72" TRACK. TRACK LENGTHS ARE ONLY AVAILABLE IN PER FOOT INCREMENTS. **CRT SERIES TRACK MUST BE INSTALLED ONTO SOLID BACKING/SUPPORT (IN WALL).** [FOR DRYWALL/WOOD BACKING, SEE SEPARATE INSTRUCTION SHEET]

### STEP 2

ONCE DOOR SIZE HAS BEEN DETERMINED, CALCULATE THE DISTANCE FROM THE FINISHED FLOOR TO THE CENTER OF THE TRACK WITH THE FOLLOWING FORMULA: (NOTE: MINIMUM GROUND CLEARANCE IS 3/8" [9.5 mm], 1/2" [12.7 mm] IS USED FOR CALCULATION EXAMPLE. MINIMUM CLEARANCE FROM CENTER OF THE TRACK TO THE TOP OF THE DOOR IS 1-1/2" [38.1mm], 1-3/4" [44.5mm] IS USED FOR CALCULATION EXAMPLE.)  
 DOOR HEIGHT (A) + 1-3/4" [44.5 mm] + MINIMUM 1/2" [12.7 mm] GROUND CLEARANCE (B) = DISTANCE TO CENTER OF TRACK.  
 I.E. FOR 84" [2134 mm] DOOR: 84" [2134 mm] (A) + 1-3/4" [44.5 mm] + 1/2" [12.7 mm] = 86-1/4" [2191 mm]  
 FROM FINISHED FLOOR TO CENTER OF TRACK.

**STOP: PLEASE REVIEW ANCHOR TYPE BEING USED BEFORE PROCEEDING. FOR WOOD ANCHORS, PLEASE REFER TO SEPARATE INSTRUCTION SHEET**

### STEP 3 (THIS STEP APPLIES TO 5/16"-18 EXPANSION SHIELD ONLY)

MARK A HORIZONTAL LINE WITH A LEVEL ON WALL AT THE MEASUREMENT CALCULATED IN STEP 2. LOCATE TRACK ON WALL AND MARK HOLE LOCATIONS AS PER SPACING SHOWN IN THE LEGEND OR WITH TRACK. DRILL 5/8" HOLE AT LEAST 2" DEEP AT THE LOCATIONS MARKED.

### STEP 4 (THIS STEP APPLIES TO 5/16"-18 EXPANSION SHIELD ONLY)

INSERT ONE 5/16"-18 EXPANSION SHIELD (SUPPLIED) INTO EACH HOLE.

**NOTE: INSERT WITH THREADED END INTO THE HOLE FIRST.**

### STEP 5

INSERT ONE CRT-111-WB (WALL BRACKET) INTO EACH HOLE ON THE BACK OF THE TRACK (LARGE HOLE ON TRACK IS THE BACK SIDE) WHILE PUTTING ONE 5/16"-18 X 3" S/S SOCKET CAP SCREW THROUGH THE FRONT HOLE.

### STEP 6

LIFT TRACK UP TO WALL AND LOOSELY SCREW THE SOCKET CAP SCREWS INTO THE EXPANSION SHIELDS PLACED IN STEP 4. SECURE TRACK TO WALL BY TIGHTENING SOCKET CAP SCREWS. ENSURE THAT EXPANSION SHIELDS HAVE BEEN FULLY SEATED.

### STEP 7

PREPARE THE DOOR FOR MOUNTING THE CRT-103 STRAP HANGERS. MINIMUM HOLE SIZE IN DOOR MUST BE 25/32" [19.8mm]. SEE DIMENSION DETAILS AND TEMPLATE ON THE RIGHT FOR HOLE LOCATION. HANGERS SHALL BE INSTALLED A MINIMUM 5" FROM THE CENTER OF THE HANGER TO THE EDGES OF THE DOOR. USE TWO SETS OF CRT-103 FRONT SCREW, INSIDE CLAMP, O-RINGS & BACK CLAMP TO SECURE HANGER TO DOOR.

### STEP 8

PLACE DOOR ONTO TRACK. THE DELRIN WHEEL SHOULD BE RESTING ON THE TOP OF THE ROUND BAR TRACK. INSTALL CRT-100 ANTI-LIFT ONTO CRT-103 HANGER WITH THE SUPPLIED 5/16"-18 X 3/4" LOW PROFILE HEAD S/S SOCKET CAP SCREW WITH LOCTITE. **NOTE: THE "CRT-103 ANTI-LIFT" COMPONENT MUST BE INSTALLED AS THIS WILL PREVENT THE DOOR FROM LIFTING OFF THE TRACK. USE AN ALLEN KEY TO HOLD THE ANTI-LIFT (HOLE IN ANTI-LIFT) WHILE TIGHTENING THE SOCKET CAP SCREW.**

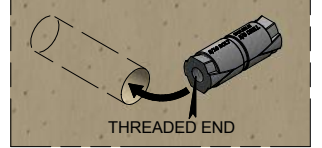
### STEP 9

INSTALL CRT-110 SHOCK ABSORBING STOPS FROM THE END OF THE TRACK. LOOSEN THE CAP SCREWS HOLDING THE CLAMP TOGETHER TO ALLOW YOU TO SLIDE IT ONTO THE TRACK FROM THE ENDS. THE STOPS ARE REVERSIBLE. LOCATE THE STOPS AS REQUIRED TO LIMIT THE SLIDING DISTANCE OF THE DOOR AND SECURE THE STOP CLAMP TO THE TRACK WITH THE TWO CAPS SCREWS. **NOTE: THE "CRT-110 STOPS" MUST BE INSTALLED AS THIS WILL PREVENT THE DOOR FROM RUNNING OFF THE TRACK AND PROVIDE THE REQUIRED STOPPING FORCE FOR THE DOOR(S).**

### STEP 10

LOCATE AND FASTEN THE CGGS-038 (FOR 3/8" [10mm] GLASS) OR CGGS-012 (FOR 1/2" [12mm] GLASS) BOTTOM STATIONARY GUIDE WITH TWO #6 X 1-1/2" FLATHEAD SCREWS TO THE FLOOR AT CENTER OF TRAVEL LENGTH. THE CGGS GUIDE SHOULD GUIDE THE DOOR WHEN IN THE FULLY OPENED OR CLOSED POSITION.

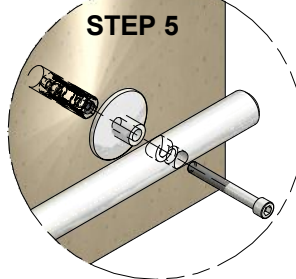
### STEP 4



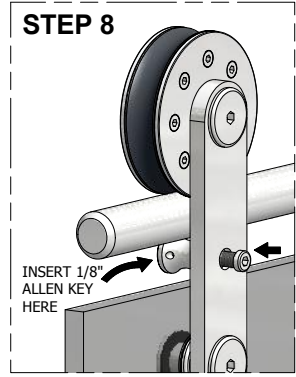
MINIMUM DISTANCE WITH 1-1/2" CLEARANCE FROM TOP OF DOOR TO CENTER OF TRACK

MINIMUM DISTANCE WITH 1-3/4" CLEARANCE FROM TOP OF DOOR TO CENTER OF TRACK

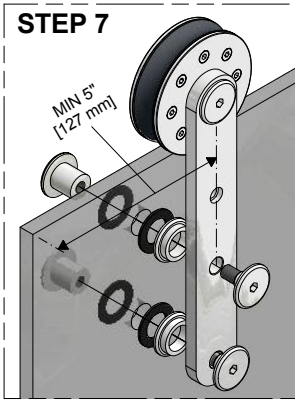
MINIMUM DISTANCE WITH 2" CLEARANCE FROM TOP OF DOOR TO CENTER OF TRACK



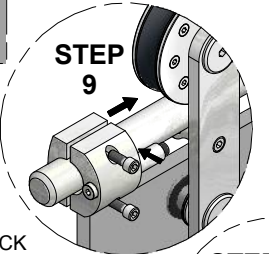
### STEP 5



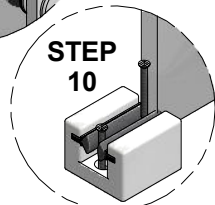
### STEP 8



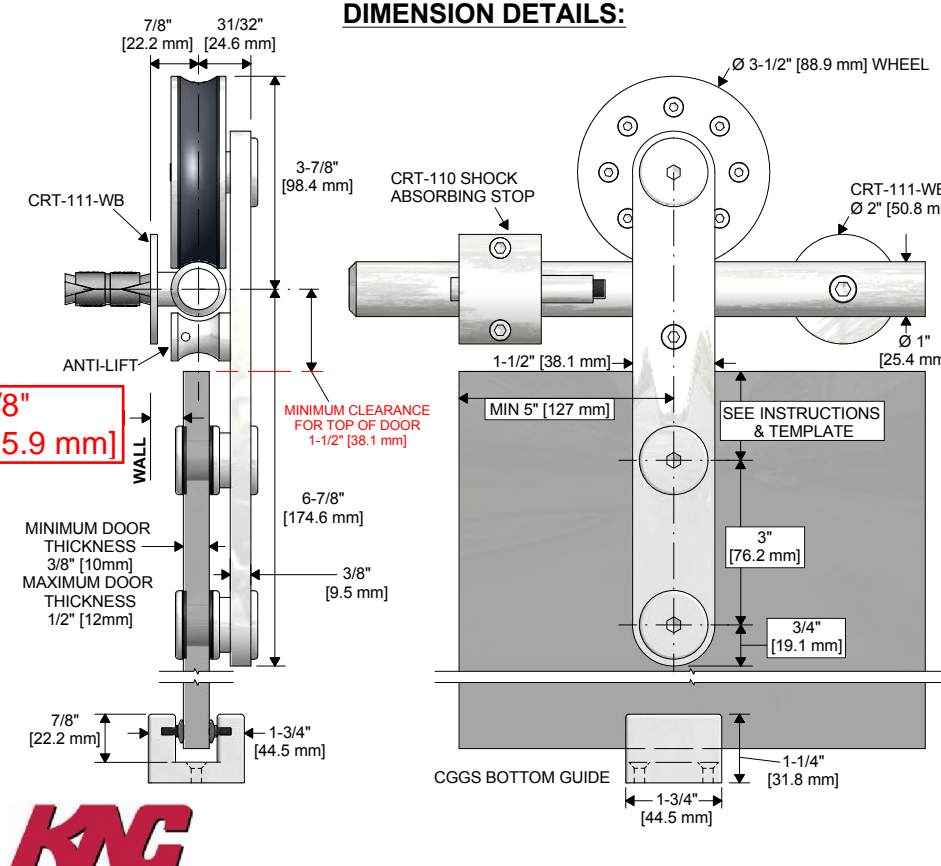
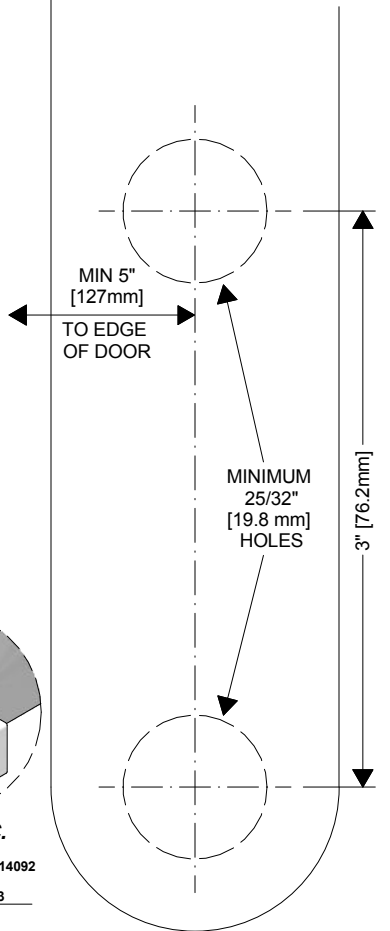
### STEP 7



### STEP 9



### STEP 10



**K.N. CROWDER MFG. INC.**  
 1220 BURL OAK DRIVE  
 BURLINGTON, ONTARIO, CANADA, L7L 6B3  
 TELEPHONE: 905-315-9788 - FAX: 905-315-8090  
 TOLL FREE FAX: 1-800-567-0123  
 WEBSITE: www.kncrowder.com -- E-MAIL: customerservice@kncrowder.com

**K.N. CROWDER INC.**  
 210 EIGHTH STREET SOUTH  
 LEWISTON, NEW YORK, U.S.A. 14092  
 TELEPHONE: 1-716-754-8247  
 TOLL FREE FAX: 1-800-567-0123

# CRT TRACK

DRYWALL/WOOD BACKING  
INSTALLATION INSTRUCTION SHEET



## PARTS LIST

5/8"Ø X 1/2" LONG ALUMINUM SPACER (\*)



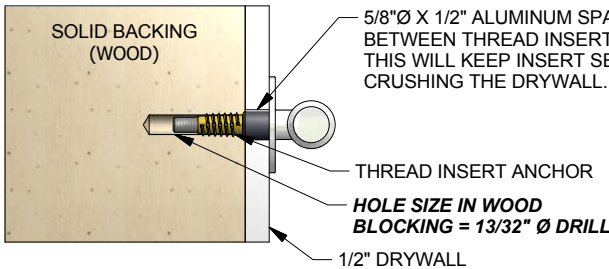
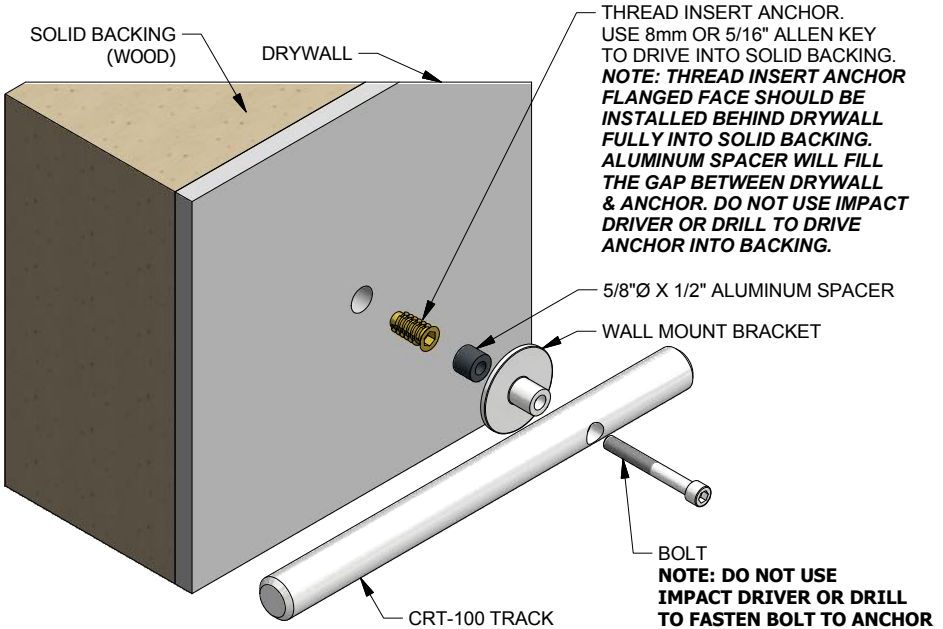
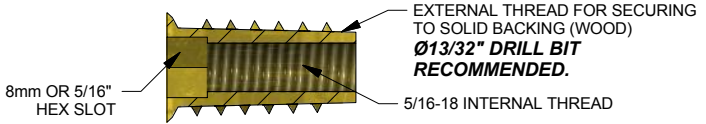
5/16-18 INTERNAL THREAD INSERT ANCHOR (\*)



## LEGEND

\*- QUANTITY IS BASED ON KIT SIZE

- 72" KIT INCLUDES 5 SETS (SPACING: 8"[203.2] -14"[355.6] X 4 -8"[203.2])
- 84" KIT INCLUDES 6 SETS (SPACING: 7"[177.8] -14"[355.6] X 5 -7"[177.8])
- 96" KIT INCLUDES 6 SETS (SPACING: 8"[203.2] -16"[406.4] X 5 -8"[203.2])
- 108" KIT INCLUDES 7 SETS (SPACING: 6"[152.4] -16"[406.4] X 6 -6"[152.4])
- 120" KIT INCLUDES 8 SETS (SPACING: 7.5"[190.5] -15"[381] X 7 -7.5"[190.5])
- 144" KIT INCLUDES 9 SETS (SPACING: 8"[203.2] -16"[406.4] X 8 -8"[203.2])



**CAUTION:**  
**DO NOT USE IMPACT DRIVER OR DRILL WHEN INSTALLING ANCHOR OR BOLTS**



**K.N. CROWDER MFG. INC.**  
1220 BURLOAK DRIVE  
BURLINGTON, ONTARIO, CANADA, L7L 6B3  
TELEPHONE: 905-315-9788 - FAX: 905-315-8090  
TOLL FREE FAX: 1-800-567-0123

**K.N. CROWDER INC.**  
210 EIGHTH STREET SOUTH  
LEWISTON, NEW YORK, U.S.A. 14092  
TELEPHONE: 1-716-754-8247  
TOLL FREE FAX: 1-800-567-0123

WEBSITE: [www.kncrowder.com](http://www.kncrowder.com) --- E-MAIL: [customerservice@kncrowder.com](mailto:customerservice@kncrowder.com)