

W-8-SS-C

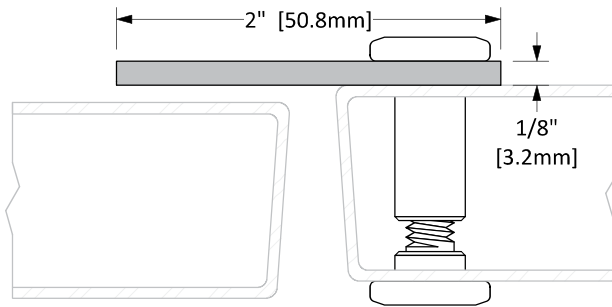


Intertek

Finish Options

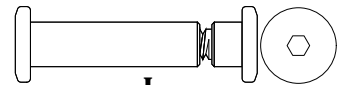
STD

18 GA. 304 Stainless Steel 2B



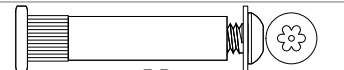
Screw Options

STANDARD



SCREW TYPE: **L**
 WC-USB CUSTOM STAINLESS
 STEEL HEX DRIVE, UNIVERSAL
 CONNECTOR BOLT Ø3/8" OR
 "V" DRILL BIT CLEARANCE HOLE
 REQUIRED

OPTIONAL



SCREW TYPE: **M**
 1/4-20 x 3/4" STAINLESS
 STEEL BUTTON HEAD, TAMPER-
 RESISTANT TORX, MACHINE
 SCREW WITH SECURITY SLEEVE &
 WASHER

Operation	Astragal
Features	<ul style="list-style-type: none"> Stainless Steel
Application	<ul style="list-style-type: none"> Ideal for Residential, Commercial & Industrial

Part No.:

Part Description:

Customer Name:

Job No./Name:

Date:

Provided By:

Notes: