



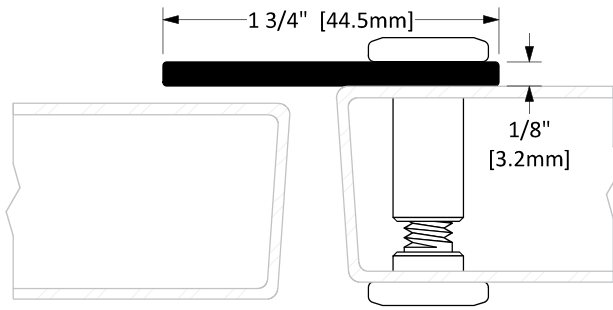
W-8SP-C




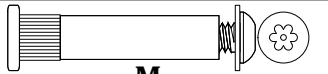
Intertek

Finish Options

STD Primed C.R. Steel



Screw Options

STANDARD	
	<p>SCREW TYPE: L WC-USB CUSTOM STAINLESS STEEL HEX DRIVE, UNIVERSAL CONNECTOR BOLT Ø3/8" OR "V" DRILL BIT CLEARANCE HOLE REQUIRED</p>
OPTIONAL	
	<p>SCREW TYPE: M 1/4-20 x 3/4" STAINLESS STEEL BUTTON HEAD, TAMPER-RESISTANT TORX, MACHINE SCREW WITH SECURITY SLEEVE & WASHER</p>

Operation	Astragal
Features	<ul style="list-style-type: none"> Primed C.R. Steel with Conditioned Edges
Application	<ul style="list-style-type: none"> Ideal for Residential, Commercial & Industrial

Part No.: _____ **Part Description:** _____

Customer Name: _____ **Job No./Name:** _____ **Date:** _____ **Provided By:** _____

Notes: